

78341.000 White (RAL9002)
Length 1000mm

Product description

Aluminium profile, powder-coated.
Mounting surface with easy to remove knockouts at 0.4m interval.
4 isolated copper conductors and pressed-in earth conductor.
When used as DALI track: one 16A circuit and two conductors for connecting to the DALI data line.
When used as a 3-circuit track: three separately switchable circuits 16A each.
The ERCO track system is approved according to IEC 60570 (EN 60570/ VDE 0711 Part 300).
Weight 1.10kg

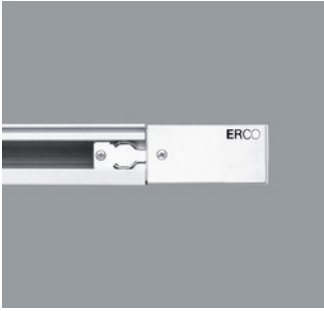
Planning data

Technical data in accordance with international norms and standards

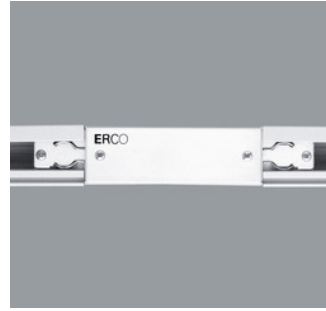
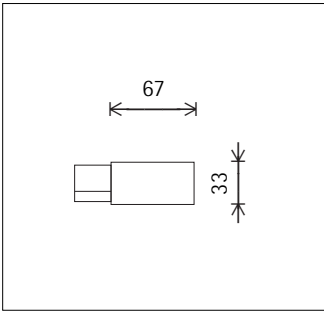
IEC 60598	Luminaires – Part 1+2: general requirements, specific requirements and tests
IEC 62031	LED modules for general lighting – safety requirements
IEC 62471	Photobiological safety of lamps and lamp systems
EN 13032-4	Light and lighting – measurement and representation of photometric data
CIE 13	Method of measuring and specifying colour rendering properties of light sources

All technical data is subject to industrially standard tolerances.
Also see www.erco.com/erco-led

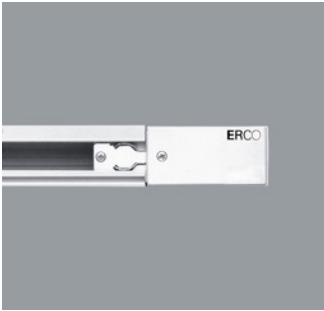
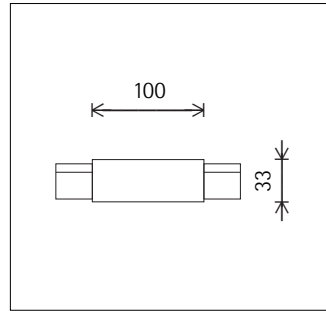
Accessories



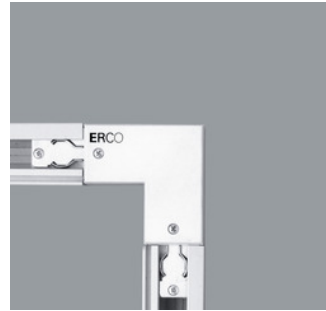
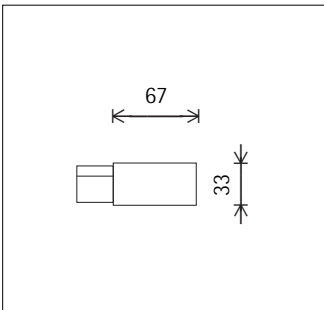
79300.000
3-circuit live end
Polymer.
Earth conductor, right.
White
🔌 ⚡ CE



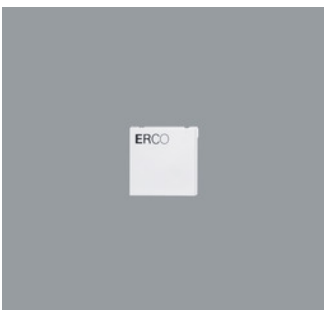
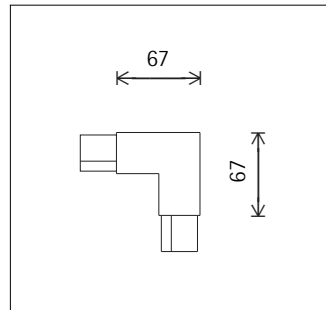
79304.000
3-circuit coupler
Polymer.
Feed-in possible. Through-wiring.
White
🔌 ⚡ CE



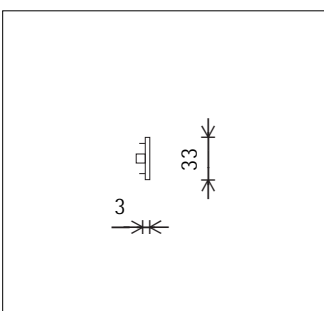
79301.000
3-circuit live end
Polymer.
Earth conductor, left.
White
🔌 ⚡ CE



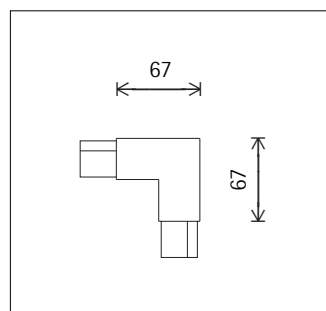
79306.000
3-circuit L-connector
Polymer.
Earth conductor inside. Feed-in possible.
Through-wiring.
White
🔌 ⚡ CE



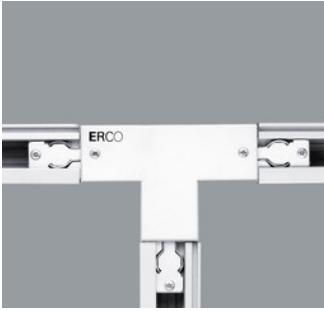
79302.000
End plate
Polymer.
White
🔌 ⚡ CE



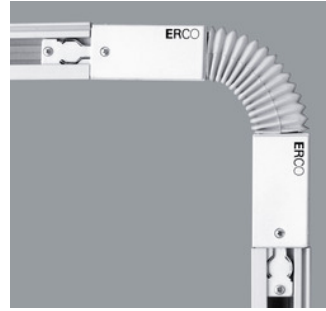
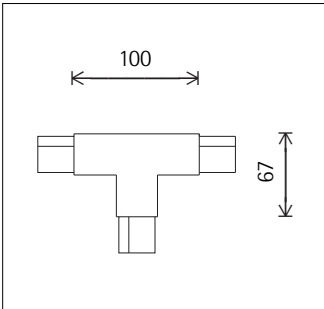
79307.000
3-circuit L-connector
Polymer.
Earth conductor outside. Feed-in possible. Through-wiring.
White
🔌 ⚡ CE



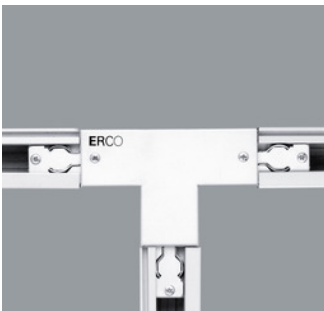
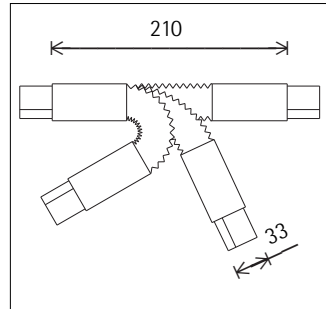
Accessories



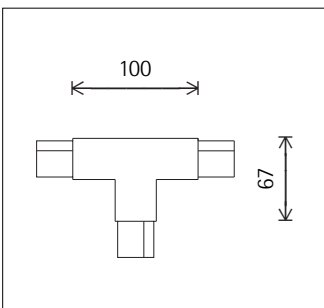
79308.000
3-circuit T-connector
Polymer.
Earth conductor, right. Feed-in possible.
Through-wiring.
White
🔌 ⚡ CE



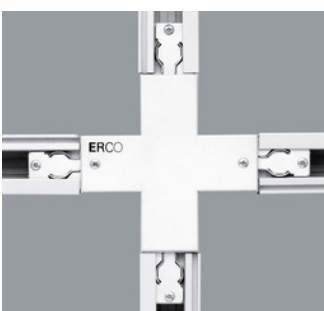
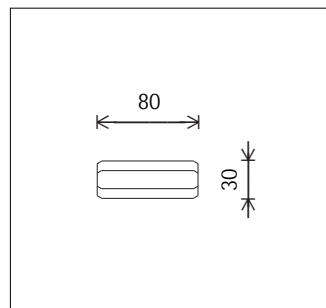
79311.000
3-circuit Multiflex coupler
Polymer.
Feed-in possible. Through-wiring.
White
🔌 ⚡ CE



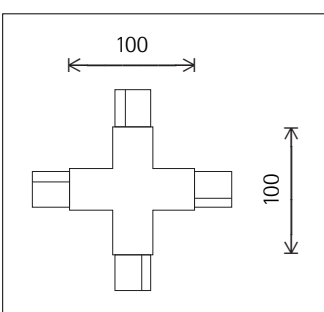
79309.000
3-circuit T-connector
Polymer.
Earth conductor, left. Feed-in possible.
Through-wiring.
White
🔌 ⚡ CE



79315.000
Coupler
for flush connection of ERCO track.
Polymer.
White
🔌 ⚡ CE



79310.000
3-circuit X-connector
Polymer.
Feed-in possible. Through-wiring.
White
🔌 ⚡ CE



79053.000
ERCO 3-circuit adapter
with earthed coupler. 250V, 6A.
Spiral cable 3x0,75mm².
L 700/1400mm.
White




79023.000
ERCO 3-circuit adapter
with earthed socket outlet. 250V, 10A.
Polymer. Cover: Polymer, black.
L 71mm, B 56mm, H 90mm.
White
CE

Accessories



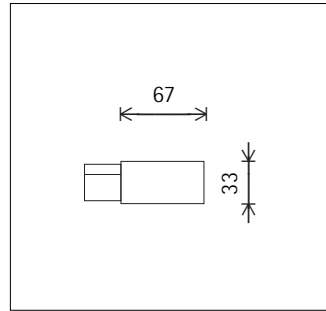
79031.000
 ERCO 3-circuit adapter
 Installation kit for 250V, 10A pendant
 luminaire, with strain relief. Polymer.
 Connection cable 3 x 0.75mm²,
 L 1500mm.
 Load: 3.30kg.
 Individual parts to be assembled on-
 site.
 White
 Weight 0.15kg



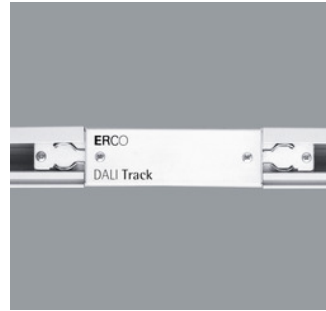
79201.000
 DALI live end
 Polymer.
 Earth conductor, left.
 White





79055.000
 ERCO 3-circuit adapter
 for pendant luminaire, 250V, 10A, with
 hook and terminal block.
 Polymer.
 Load: 10kg.
 L 71mm, B 32mm, H 33mm.
 White



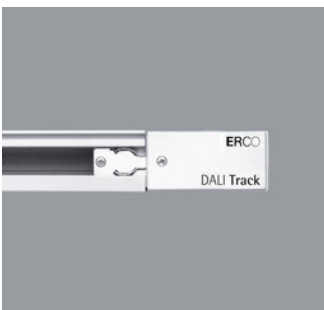
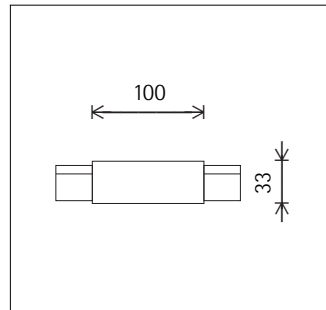
12692.000
 Spiral cable
 L 500/2,500mm.
 White 3x1.5mm²
CE




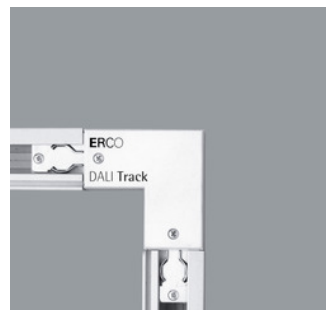
79204.000
 DALI coupler
 Polymer.
 Feed-in possible. Through-wiring.
 White





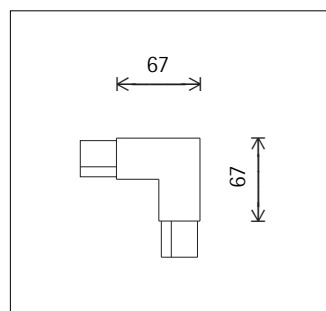
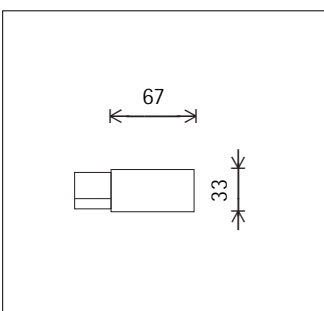
12693.000
 Spiral cable
 L 500/2,500mm.
 White 5x1.5mm²
CE



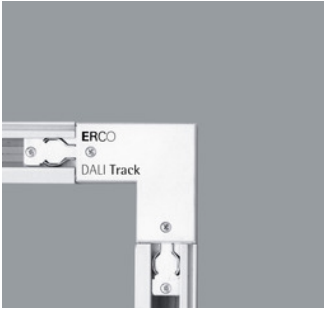
79200.000
 DALI live end
 Polymer.
 Earth conductor, right.
 White




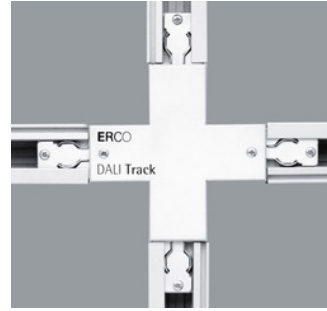
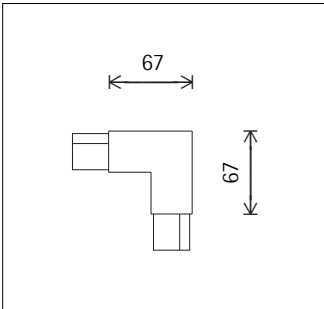
79206.000
 DALI L-connector
 Polymer.
 Earth conductor inside. Feed-in possible.
 Through-wiring.
 White




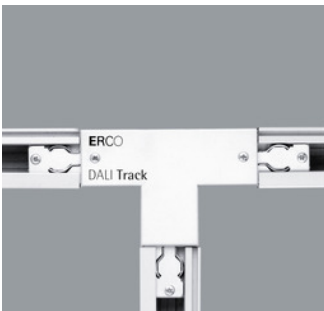
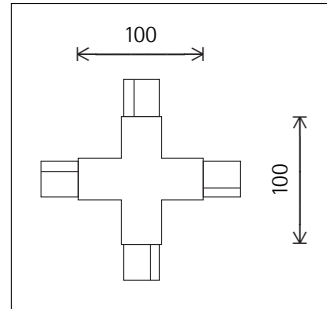
Accessories



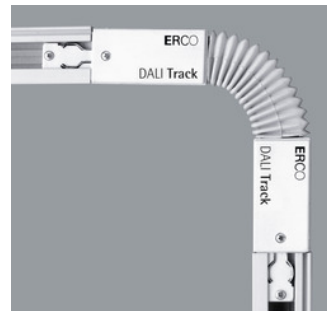
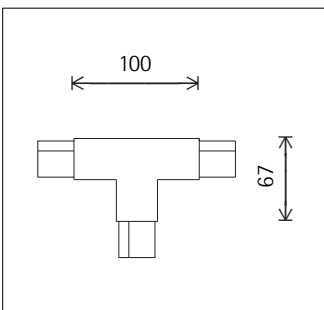
79207.000
DALI L-connector
Polymer.
Earth conductor outside. Feed-in possible. Through-wiring.
White
🌿 ⚡ CE



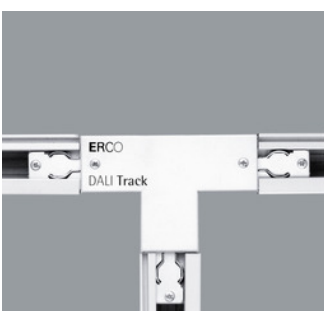
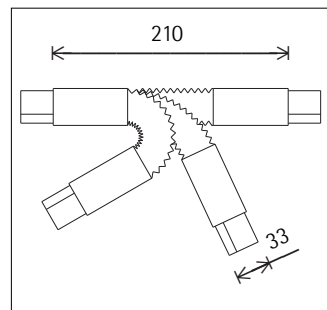
79210.000
DALI X-connector
Polymer.
Feed-in possible. Through-wiring.
White
🌿 ⚡ CE



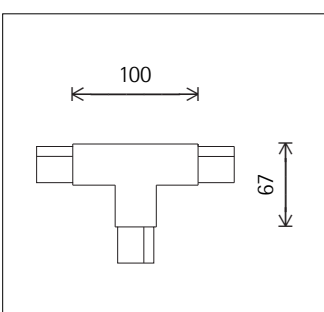
79208.000
DALI T-connector
Polymer.
Earth conductor, right. Feed-in possible. Through-wiring.
White
🌿 ⚡ CE



79211.000
DALI Multiflex coupler
Polymer.
Feed-in possible. Through-wiring.
White
🌿 ⚡ CE

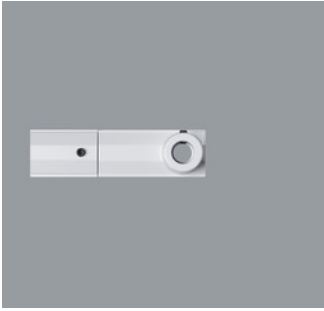


79209.000
DALI T-connector
Polymer.
Earth conductor, left. Feed-in possible. Through-wiring.
White
🌿 ⚡ CE

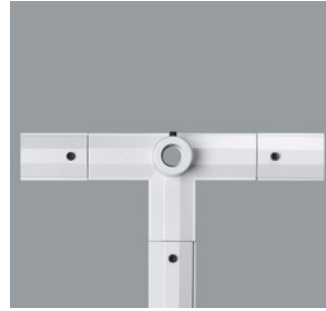
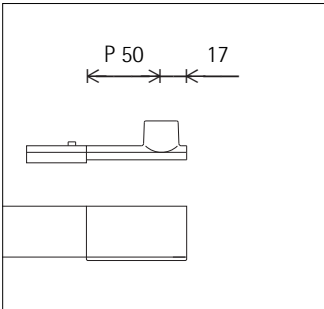


79047.000
ERCO DALI adapter
for 250V, 1A pendant luminaire, with strain relief. Polymer.
Connection cable 5x0,75mm², L 1500mm.
Requirements placed on DALI control gear: DALI input suitable for mains voltage, max. capacity 750pF.
Not suitable for DALI singlet.
White
Weight 0.39kg
CE

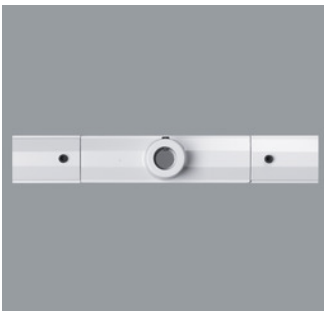
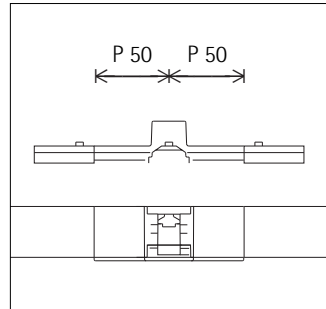
Accessories



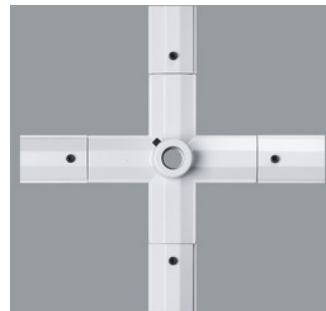
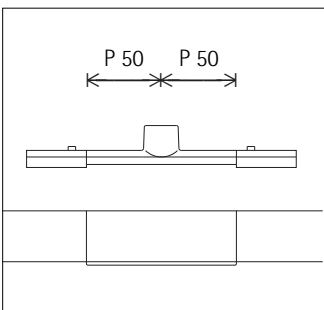
79551.000
Mounting device
for suspension on live end.
Metal.
White
Only in conjunction with
79200.000
79201.000
79300.000
79301.000



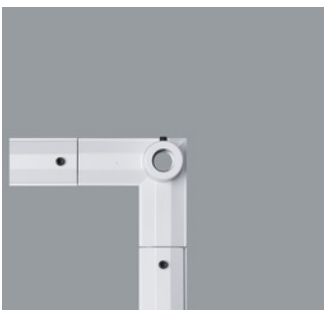
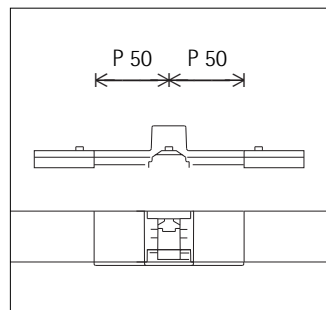
79566.000
Mounting device
for suspension on T-connector.
Metal.
White
Only in conjunction with
79208.000
79209.000
79308.000
79309.000



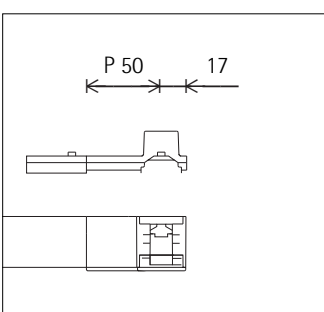
79556.000
Mounting device
for suspension on coupler with feed-
ing.
Metal.
White
Only in conjunction with
79204.000
79304.000



79571.000
Mounting device
for suspension on X-connector.
Metal.
White
Only in conjunction with
79210.000
79310.000



79561.000
Mounting device
for suspension on L-connector.
Metal.
White
Only in conjunction with
79206.000
79207.000
79306.000
79307.000



78671.000
Mounting device
for suspension on track.
Metal.
White

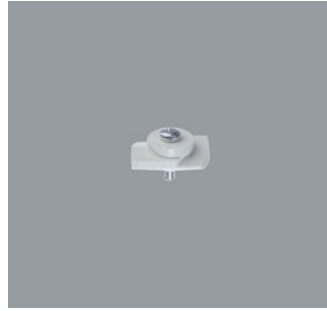


78652.000
Mounting device
for subsequent mounting on track.
White
Only in conjunction with
12440.000

Accessories



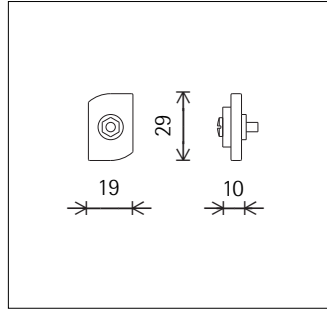
12440.000
Wire rope
Load: 20kg.
ø 1.75mm, L 10m.



78633.000
Mounting toggle
for fixing track in plaster trim profiles.
Only in conjunction with
78350.000



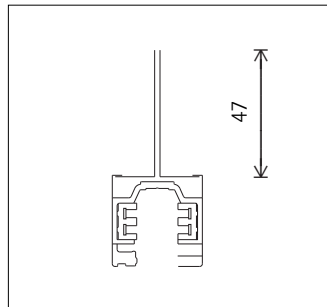
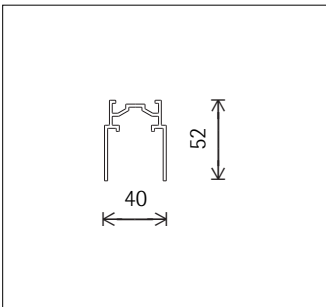
16910.000
Turnbuckle with 2 clamps
Metal, galvanised.
Load: 60kg.
Only in conjunction with
12440.000



78350.000
Plaster trim profile
Aluminium profile, silver anodised. For
flush mounting of track in plasterboard
ceilings.
B 40mm, H 52mm, L 3000mm.
Weight 3.00kg



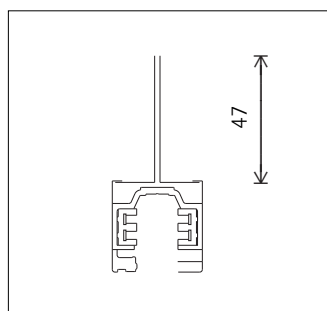
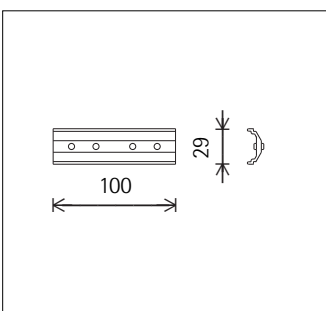
79500.000
Suspension device for track
Metal, galvanised.
Subsequent mounting of suspension
bridge in ERCO track possible.
Load: 15kg.
L 30mm, H 47mm.



79515.000
Mechanical bridge
for connection of plaster trim profiles.
Only in conjunction with
78350.000



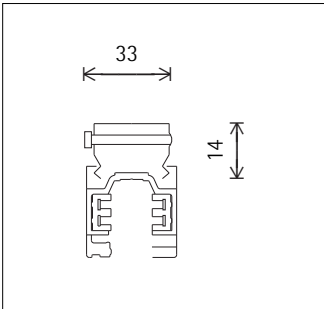
79501.000
Suspension bridge
for direct track coupler connection.
Metal, galvanised.
Subsequent mounting of suspension
bridge in ERCO track possible.
Load: 20kg.
L 180mm, H 47mm.



Accessories



79503.000
Fixing clip
Spring steel, galvanised.
Load: 20kg.
L 33mm.
H 14mm.



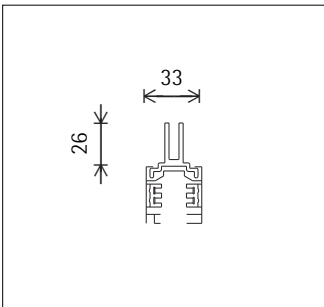
79527.000
Display hook
Polymer/steel.
Load: 10kg.
L 67mm.



79528.000
Mounting device
with M4 set screw and two nuts. Poly-
mer/steel.
Load: 10kg.
L 55mm.



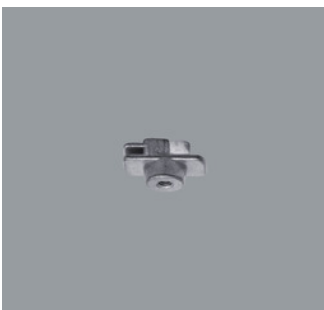
79504.000
Junction
with two screws.
Aluminium, anodised.
Load 30kg.
L 50mm, H 26mm.



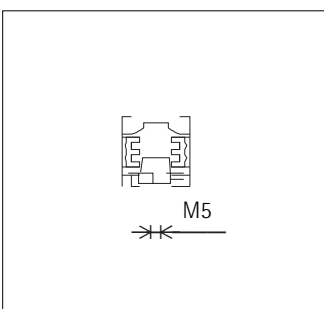
79548.000
Cover profile
Polymer.
L 10m.
White



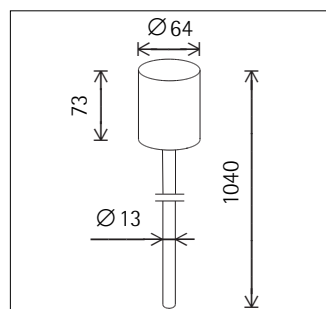
79549.000
Cable nippers
for shortening the copper conductors in
track.



79530.000
Mounting device
for M5 screws, with retaining spring.
Cast aluminium.
Load: 10kg.



12446.000
Pendant tube suspension
Pendant tube: metal, powder-coated.
ø 13mm, L 1,040mm.
Baldachin: polymer. ø 64mm, H 73mm.
Load: 20kg.
White
CE
Only in conjunction with
78671.000
79551.000
79556.000
79561.000
79566.000
79571.000

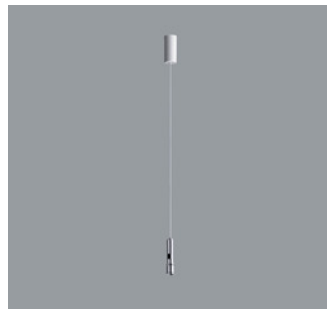
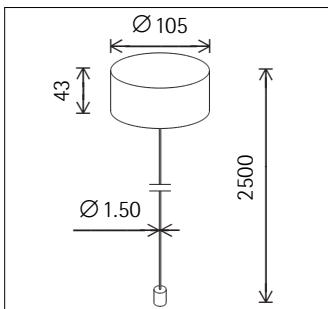


Accessories



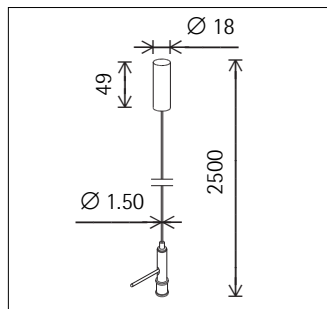
12671.000
Wire rope suspension
Wire rope: \varnothing 1.50mm, L 2,500mm.
Mounting bush: metal.
Canopy: polymer, white, \varnothing 105mm, H 43mm.
Cable entry for 5x1.5mm² polymer-coated cable or spiral cable.
Strain relief. Terminal block.
Load: 20kg.

CE
Only in conjunction with
78671.000
79551.000
79556.000
79561.000
79566.000
79571.000



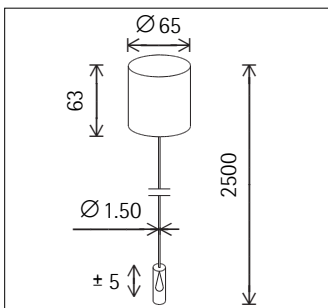
12557.000
Wire rope suspension
With single-point fixing and rapid connector for adjustment levelling.
Wire rope: \varnothing 1.50mm, L 2,500mm.
Ceiling fixture: cast aluminium/metal, white powder-coated. \varnothing 18mm, H 49mm.
Load 20kg (with heavy load dowel).
Only in conjunction with

78671.000
79551.000
79556.000
79561.000
79566.000
79571.000

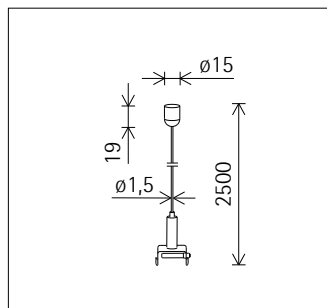


12662.000
Wire rope suspension
Wire rope: \varnothing 1.50mm, L 2,500mm.
Mounting bush: metal.
Canopy: polymer, white, \varnothing 65mm, H 63mm.
Cable entry for 3x1.5mm² polymer-coated cable or spiral cable.
Strain relief. Terminal block.
Load: 20kg.

CE
Only in conjunction with
78671.000
79551.000
79556.000
79561.000
79566.000
79571.000

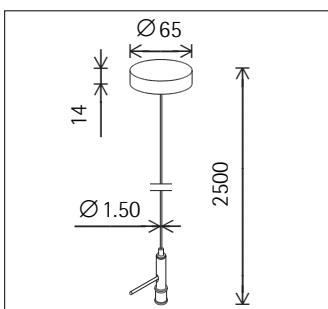


12530.000
Wire rope suspension
With rapid wire connector for height compensation.
Wire: \varnothing 1.50mm, L 2500mm.
Fastening clip for retrofitting to ERCO 220-240V track.
1-point fixing: brass, nickel-plated. \varnothing 15mm, H 21mm.
Also suitable for sloping ceilings.
Load: 20kg.
Silver

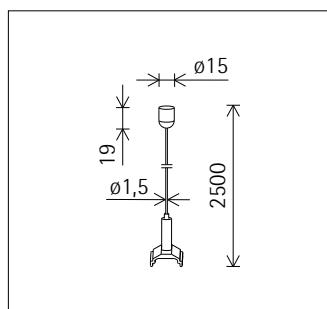


12561.000
Wire rope suspension
With rapid connector for adjustment levelling.
Wire rope: \varnothing 1.50mm, L 2,500mm.
Ceiling fixture: cast aluminium/metal, powder-coated. \varnothing 65mm, H 14mm.
Load: 20kg.
White

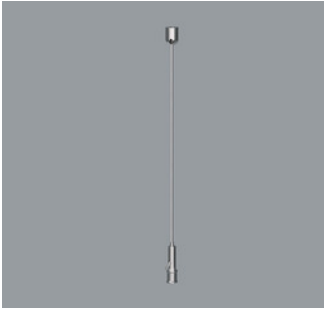
Only in conjunction with
78671.000
79551.000
79556.000
79561.000
79566.000
79571.000



12532.000
Wire rope suspension
With rapid wire connector for height compensation.
Wire: \varnothing 1.50mm, L 2500mm.
Mounting piece for mounting on ERCO 220-240V track.
1-point fixing: brass, nickel-plated. \varnothing 15mm, H 21mm.
Also suitable for sloping ceilings.
Load: 20kg.
Silver



Accessories



12534.000

Wire rope suspension
With rapid wire connector for height
compensation.

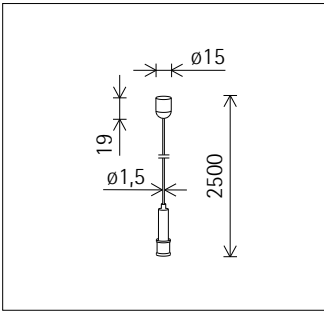
Wire: \varnothing 1.50mm, L 2500mm.

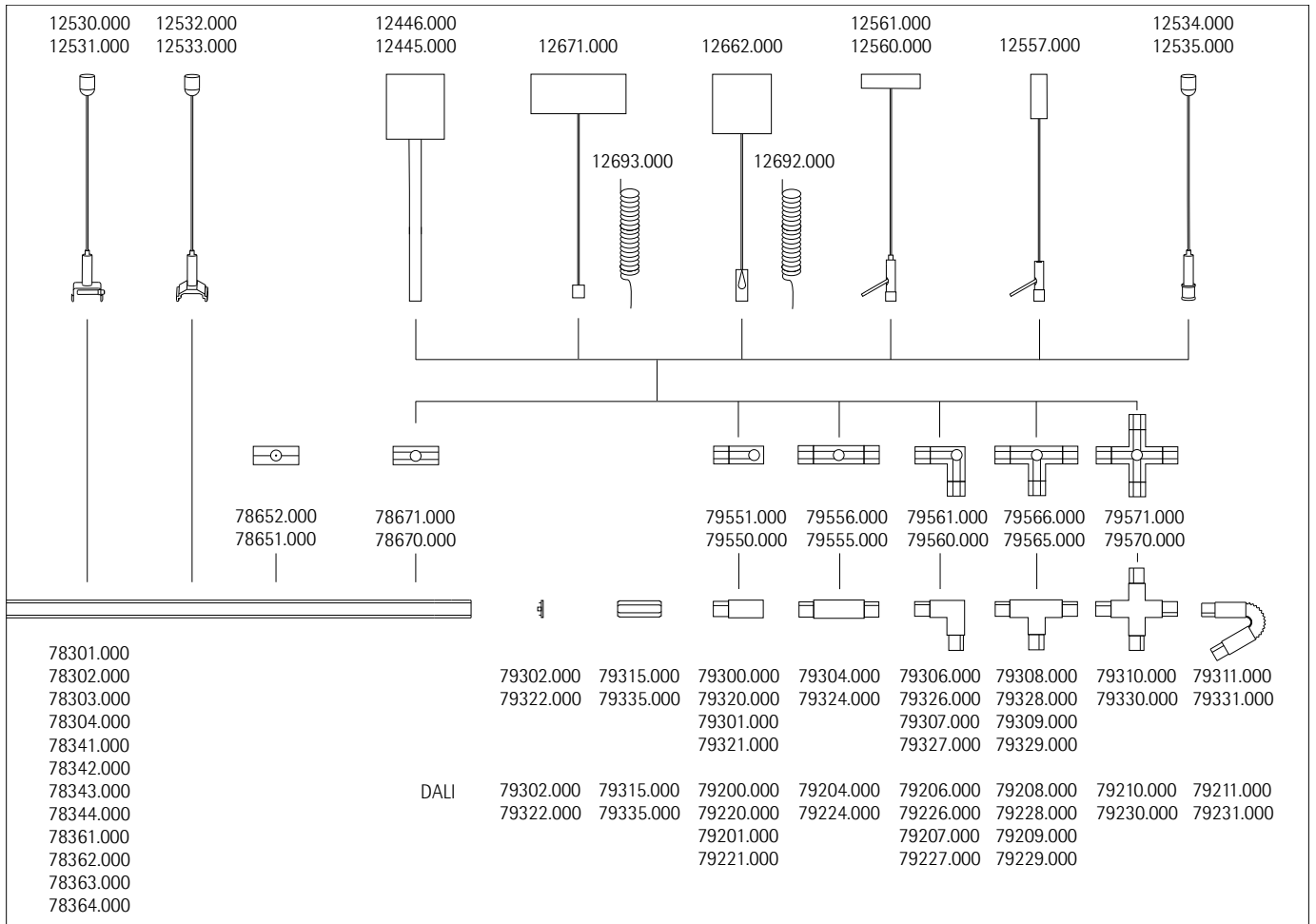
1-point fixing: brass, nickel-plated.
 \varnothing 15mm, H 21mm.

Also suitable for sloping ceilings.

Load: 20kg.

Silver

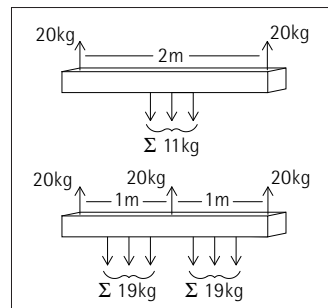
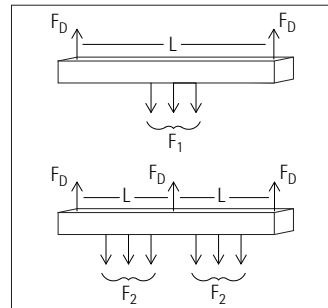


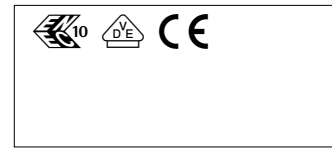
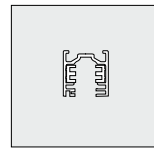
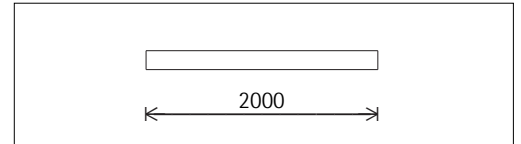
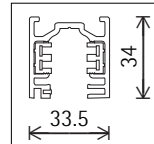
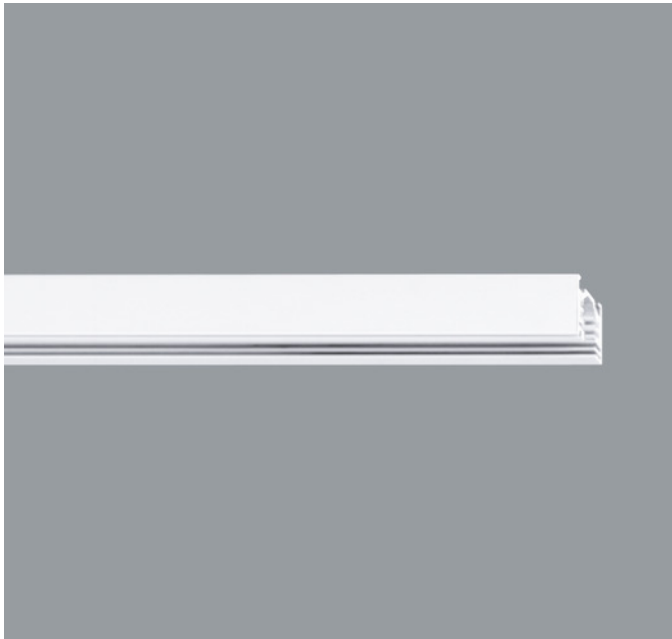


Permissible loading is calculated from the max. permissible profile deflection and the max. permissible mechanical loading of the suspension devices. Load distribution takes both the weight of the system and the equally distributed point loads into consideration.

L (mm)	1000	2000	3000	4000
F_e (kg)	1.1	2.2	3.3	4.4
f_e (mm)	0.07	1.09	5.50	17.40
$F_0 = 20\text{kg}$				
F_1 (kg)	39	11	3	-
F_2 (kg)	19	11	3	-

- L (mm) length
- f_e (mm) deflection due to weight of profile
- F_0 (kg) max. loading of suspension device
- F_e (kg) weight of the profile
- F_1 (kg) maximum permissible load for two-point suspension and permissible deflection ($L/250$) of 4mm per metre length
- F_2 (kg) maximum permissible load for series suspension and permissible deflection ($L/250$) of 4mm per metre length





78342.000 White (RAL9002)
Length 2000mm

Product description

Aluminium profile, powder-coated.
Mounting surface with easy to remove knockouts at 0.4m interval.
4 isolated copper conductors and pressed-in earth conductor.
When used as DALI track: one 16A circuit and two conductors for connecting to the DALI data line.
When used as a 3-circuit track: three separately switchable circuits 16A each.
The ERCO track system is approved according to IEC 60570 (EN 60570/VDE 0711 Part 300).
Weight 2.20kg

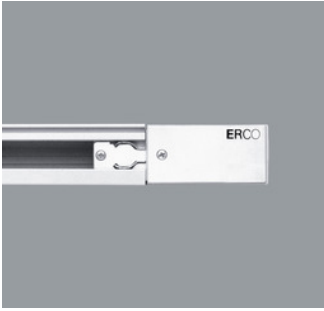
Planning data

Technical data in accordance with international norms and standards

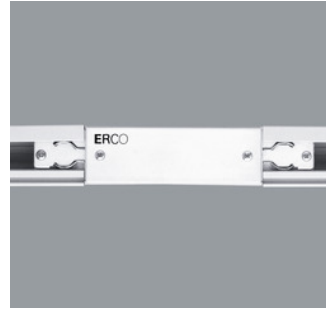
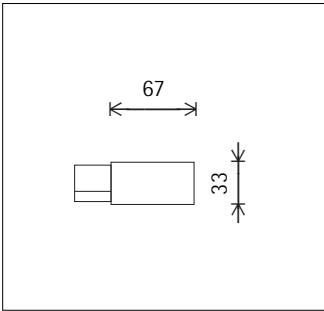
IEC 60598	Luminaires – Part 1+2: general requirements, specific requirements and tests
IEC 62031	LED modules for general lighting – safety requirements
IEC 62471	Photobiological safety of lamps and lamp systems
EN 13032-4	Light and lighting – measurement and representation of photometric data
CIE 13	Method of measuring and specifying colour rendering properties of light sources

All technical data is subject to industrially standard tolerances.
Also see www.erco.com/erco-led

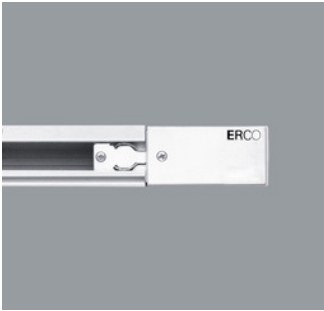
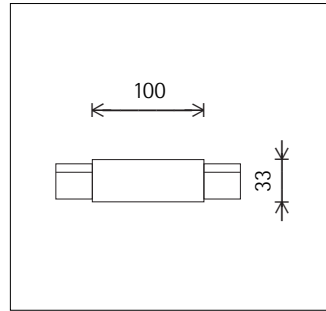
Accessories



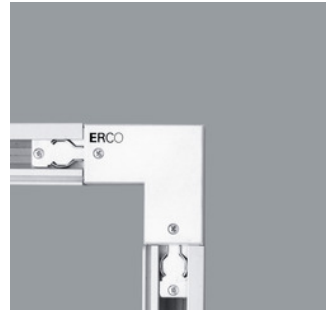
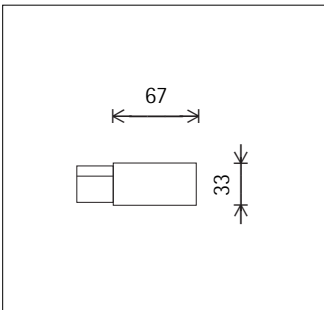
79300.000
3-circuit live end
Polymer.
Earth conductor, right.
White
🔌 ⚡ CE



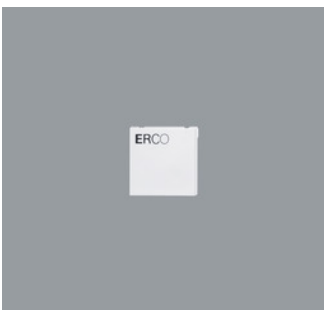
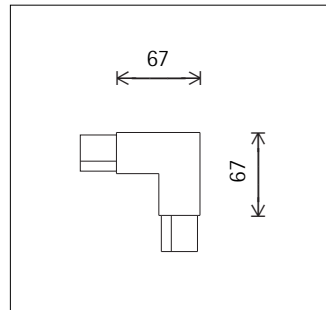
79304.000
3-circuit coupler
Polymer.
Feed-in possible. Through-wiring.
White
🔌 ⚡ CE



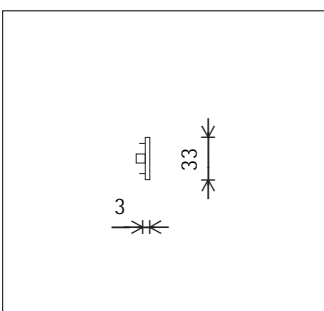
79301.000
3-circuit live end
Polymer.
Earth conductor, left.
White
🔌 ⚡ CE



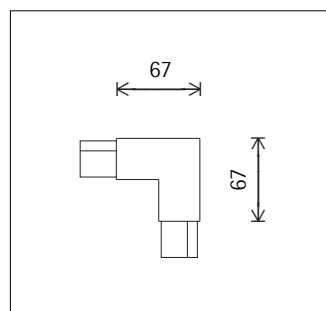
79306.000
3-circuit L-connector
Polymer.
Earth conductor inside. Feed-in possible.
Through-wiring.
White
🔌 ⚡ CE



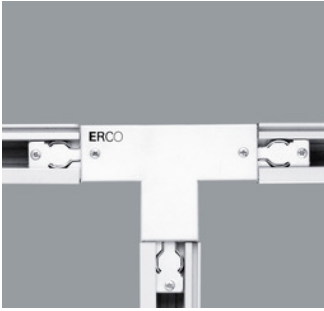
79302.000
End plate
Polymer.
White
🔌 ⚡ CE



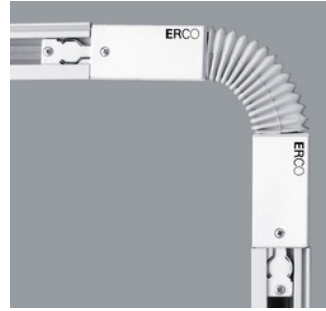
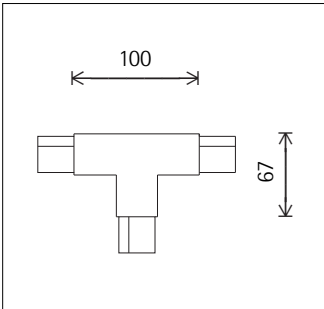
79307.000
3-circuit L-connector
Polymer.
Earth conductor outside. Feed-in possible. Through-wiring.
White
🔌 ⚡ CE



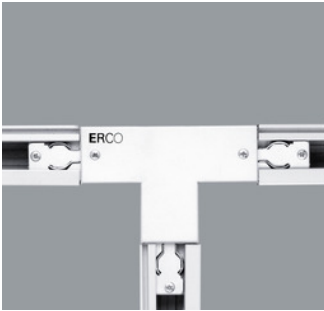
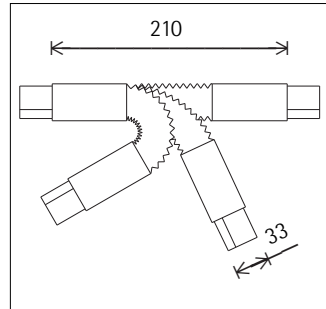
Accessories



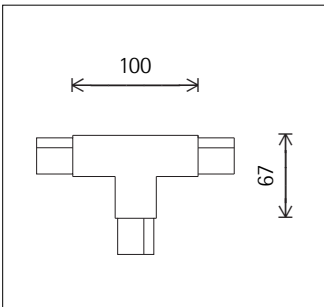
79308.000
3-circuit T-connector
Polymer.
Earth conductor, right. Feed-in possible.
Through-wiring.
White
🔌 ⚡ CE



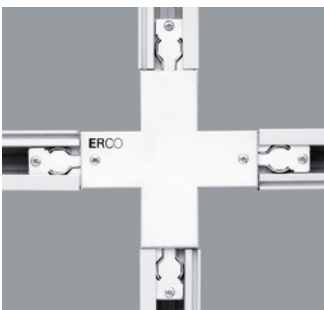
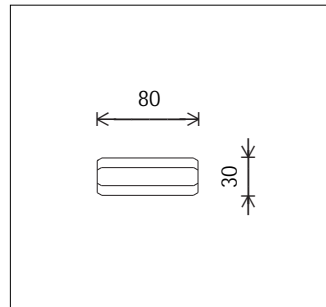
79311.000
3-circuit Multiflex coupler
Polymer.
Feed-in possible. Through-wiring.
White
🔌 ⚡ CE



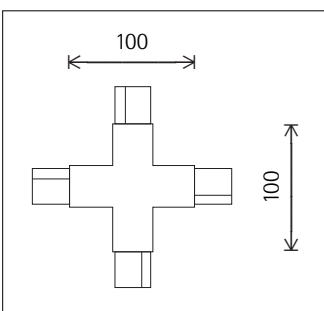
79309.000
3-circuit T-connector
Polymer.
Earth conductor, left. Feed-in possible.
Through-wiring.
White
🔌 ⚡ CE



79315.000
Coupler
for flush connection of ERCO track.
Polymer.
White
🔌 ⚡ CE



79310.000
3-circuit X-connector
Polymer.
Feed-in possible. Through-wiring.
White
🔌 ⚡ CE



79053.000
ERCO 3-circuit adapter
with earthed coupler. 250V, 6A.
Spiral cable 3x0,75mm².
L 700/1400mm.
White




79023.000
ERCO 3-circuit adapter
with earthed socket outlet. 250V, 10A.
Polymer. Cover: Polymer, black.
L 71mm, B 56mm, H 90mm.
White
CE

Accessories



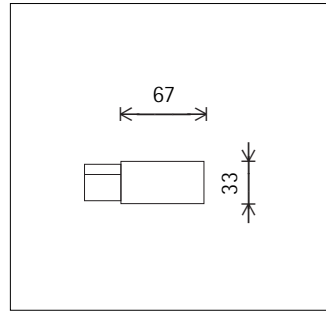
79031.000
 ERCO 3-circuit adapter
 Installation kit for 250V, 10A pendant
 luminaire, with strain relief. Polymer.
 Connection cable 3 x 0.75mm²,
 L 1500mm.
 Load: 3.30kg.
 Individual parts to be assembled on-
 site.
 White
 Weight 0.15kg



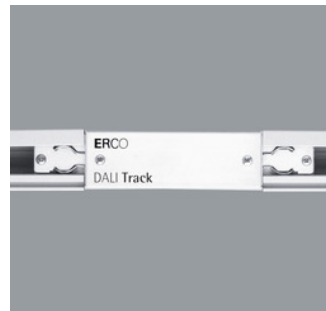
79201.000
 DALI live end
 Polymer.
 Earth conductor, left.
 White





79055.000
 ERCO 3-circuit adapter
 for pendant luminaire, 250V, 10A, with
 hook and terminal block.
 Polymer.
 Load: 10kg.
 L 71mm, B 32mm, H 33mm.
 White



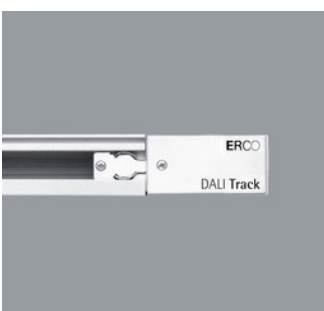
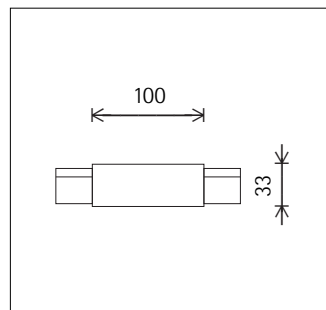
12692.000
 Spiral cable
 L 500/2,500mm.
 White 3x1.5mm²
CE




79204.000
 DALI coupler
 Polymer.
 Feed-in possible. Through-wiring.
 White





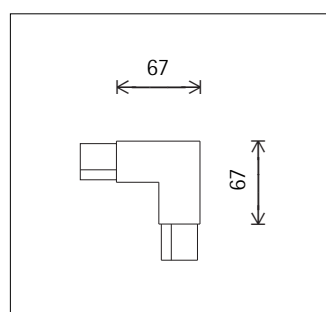
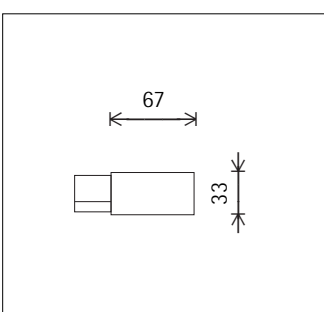
12693.000
 Spiral cable
 L 500/2,500mm.
 White 5x1.5mm²
CE



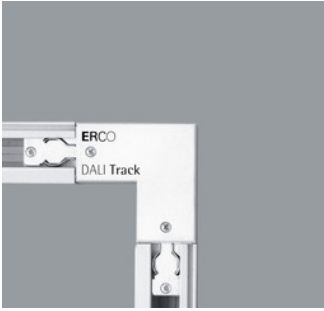
79200.000
 DALI live end
 Polymer.
 Earth conductor, right.
 White




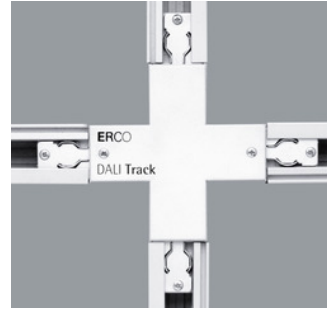
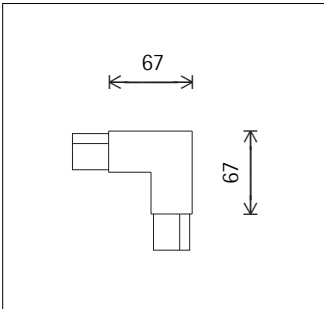
79206.000
 DALI L-connector
 Polymer.
 Earth conductor inside. Feed-in possible.
 Through-wiring.
 White




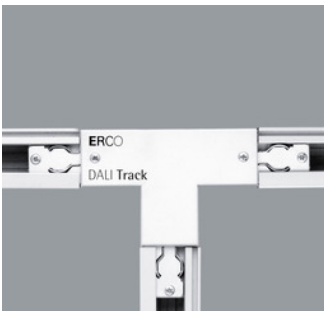
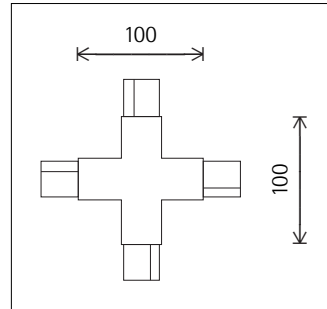
Accessories



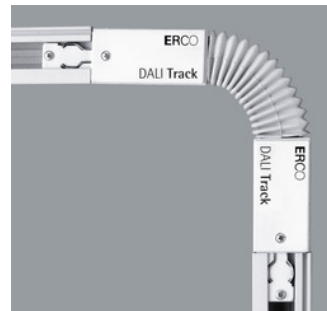
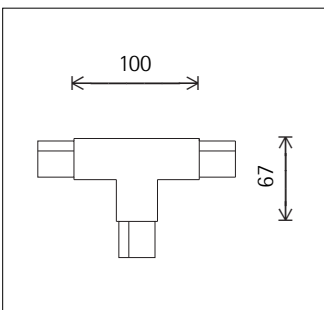
79207.000
DALI L-connector
Polymer.
Earth conductor outside. Feed-in possible. Through-wiring.
White
🌿 ⚡ CE



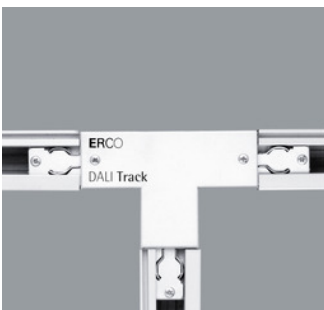
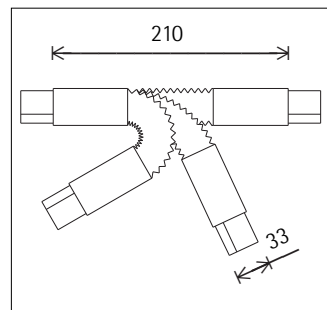
79210.000
DALI X-connector
Polymer.
Feed-in possible. Through-wiring.
White
🌿 ⚡ CE



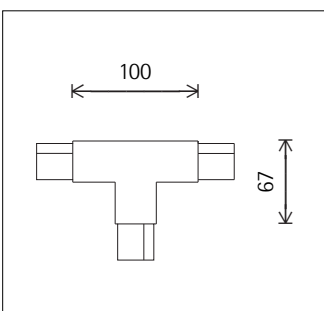
79208.000
DALI T-connector
Polymer.
Earth conductor, right. Feed-in possible. Through-wiring.
White
🌿 ⚡ CE



79211.000
DALI Multiflex coupler
Polymer.
Feed-in possible. Through-wiring.
White
🌿 ⚡ CE

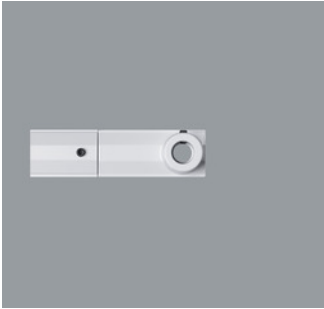


79209.000
DALI T-connector
Polymer.
Earth conductor, left. Feed-in possible. Through-wiring.
White
🌿 ⚡ CE

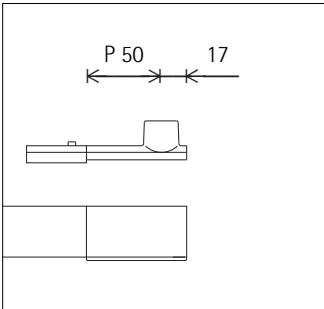


79047.000
ERCO DALI adapter
for 250V, 1A pendant luminaire, with strain relief. Polymer.
Connection cable 5x0,75mm², L 1500mm.
Requirements placed on DALI control gear: DALI input suitable for mains voltage, max. capacity 750pF.
Not suitable for DALI singlet.
White
Weight 0.39kg
CE

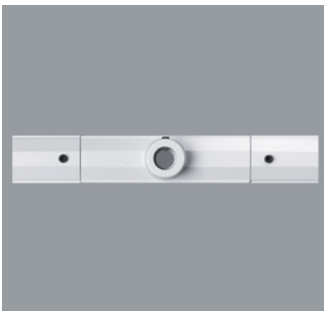
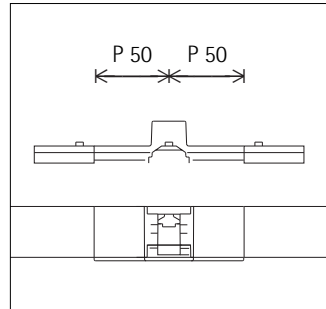
Accessories



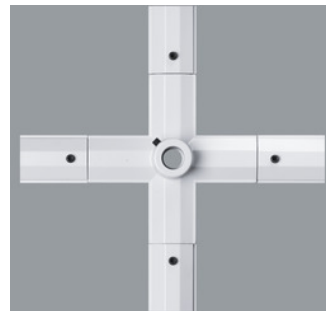
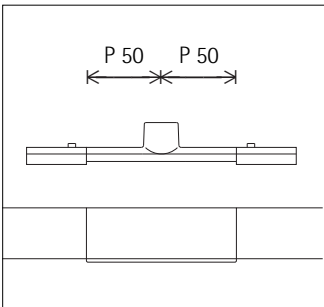
79551.000
Mounting device
for suspension on live end.
Metal.
White
Only in conjunction with
79200.000
79201.000
79300.000
79301.000



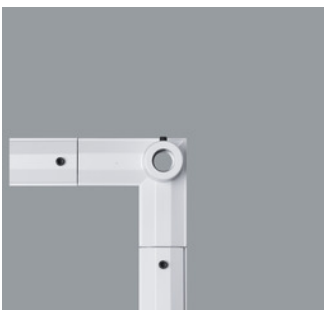
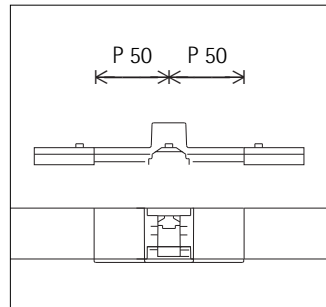
79566.000
Mounting device
for suspension on T-connector.
Metal.
White
Only in conjunction with
79208.000
79209.000
79308.000
79309.000



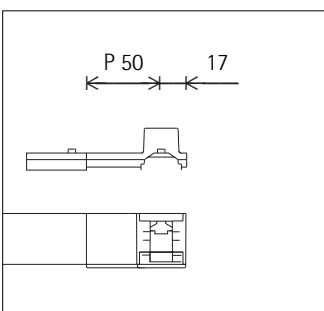
79556.000
Mounting device
for suspension on coupler with feed-
ing.
Metal.
White
Only in conjunction with
79204.000
79304.000



79571.000
Mounting device
for suspension on X-connector.
Metal.
White
Only in conjunction with
79210.000
79310.000



79561.000
Mounting device
for suspension on L-connector.
Metal.
White
Only in conjunction with
79206.000
79207.000
79306.000
79307.000

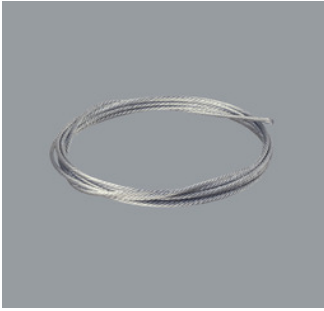


78671.000
Mounting device
for suspension on track.
Metal.
White

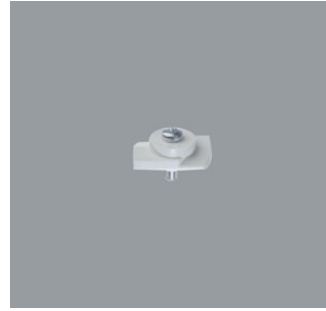


78652.000
Mounting device
for subsequent mounting on track.
White
Only in conjunction with
12440.000

Accessories



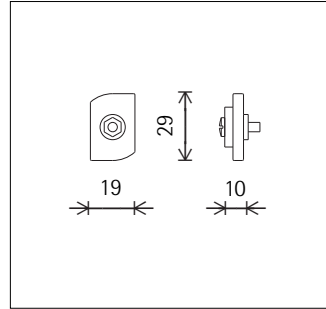
12440.000
Wire rope
Load: 20kg.
ø 1.75mm, L 10m.



78633.000
Mounting toggle
for fixing track in plaster trim profiles.
Only in conjunction with
78350.000



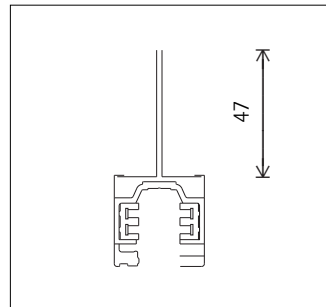
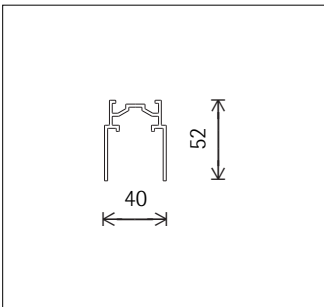
16910.000
Turnbuckle with 2 clamps
Metal, galvanised.
Load: 60kg.
Only in conjunction with
12440.000



78350.000
Plaster trim profile
Aluminium profile, silver anodised. For
flush mounting of track in plasterboard
ceilings.
B 40mm, H 52mm, L 3000mm.
Weight 3.00kg



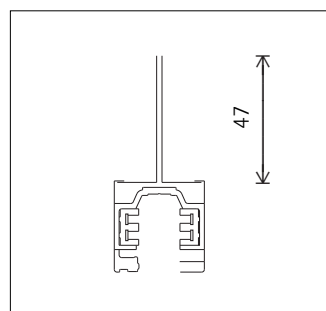
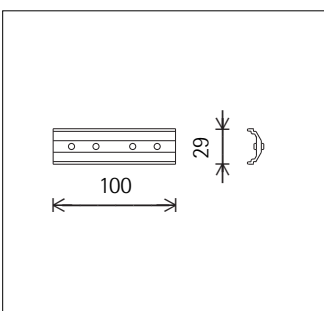
79500.000
Suspension device for track
Metal, galvanised.
Subsequent mounting of suspension
bridge in ERCO track possible.
Load: 15kg.
L 30mm, H 47mm.



79515.000
Mechanical bridge
for connection of plaster trim profiles.
Only in conjunction with
78350.000



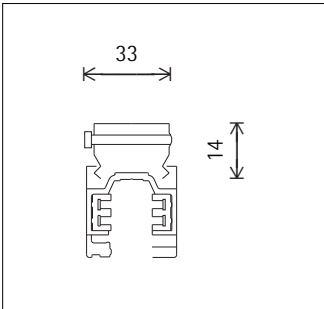
79501.000
Suspension bridge
for direct track coupler connection.
Metal, galvanised.
Subsequent mounting of suspension
bridge in ERCO track possible.
Load: 20kg.
L 180mm, H 47mm.



Accessories



79503.000
Fixing clip
Spring steel, galvanised.
Load: 20kg.
L 33mm.
H 14mm.



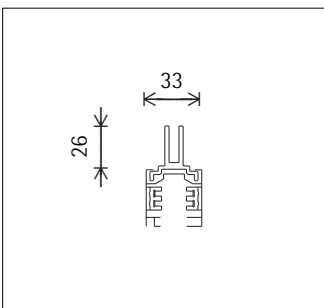
79527.000
Display hook
Polymer/steel.
Load: 10kg.
L 67mm.



79528.000
Mounting device
with M4 set screw and two nuts. Poly-
mer/steel.
Load: 10kg.
L 55mm.



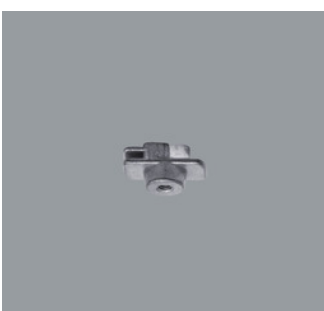
79504.000
Junction
with two screws.
Aluminium, anodised.
Load 30kg.
L 50mm, H 26mm.



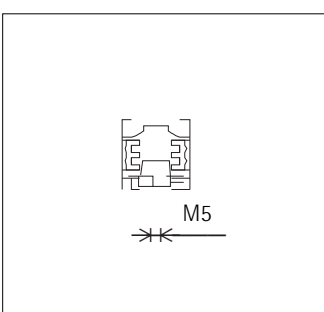
79548.000
Cover profile
Polymer.
L 10m.
White



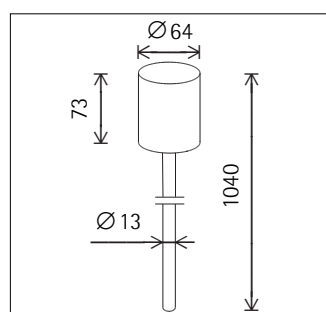
79549.000
Cable nippers
for shortening the copper conductors in
track.



79530.000
Mounting device
for M5 screws, with retaining spring.
Cast aluminium.
Load: 10kg.



12446.000
Pendant tube suspension
Pendant tube: metal, powder-coated.
ø 13mm, L 1,040mm.
Baldachin: polymer. ø 64mm, H 73mm.
Load: 20kg.
White
CE
Only in conjunction with
78671.000
79551.000
79556.000
79561.000
79566.000
79571.000

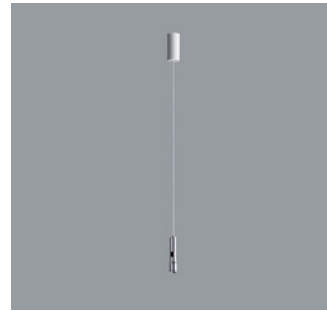
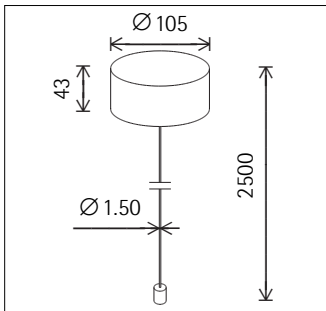


Accessories



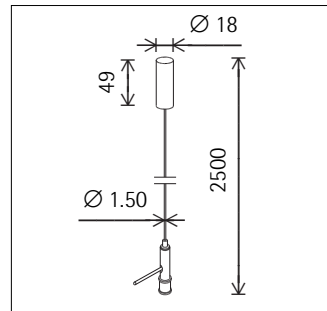
12671.000
Wire rope suspension
Wire rope: \varnothing 1.50mm, L 2,500mm.
Mounting bush: metal.
Canopy: polymer, white, \varnothing 105mm, H 43mm.
Cable entry for 5x1.5mm² polymer-coated cable or spiral cable.
Strain relief. Terminal block.
Load: 20kg.

CE
Only in conjunction with
78671.000
79551.000
79556.000
79561.000
79566.000
79571.000



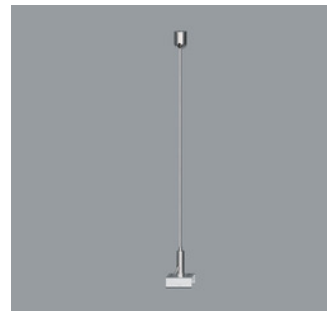
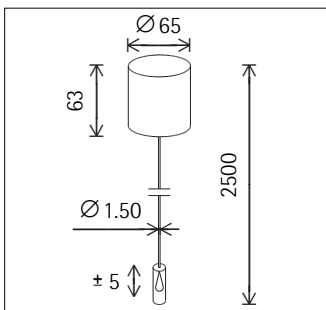
12557.000
Wire rope suspension
With single-point fixing and rapid connector for adjustment levelling.
Wire rope: \varnothing 1.50mm, L 2,500mm.
Ceiling fixture: cast aluminium/metal, white powder-coated. \varnothing 18mm, H 49mm.

Load 20kg (with heavy load dowel).
Only in conjunction with
78671.000
79551.000
79556.000
79561.000
79566.000
79571.000



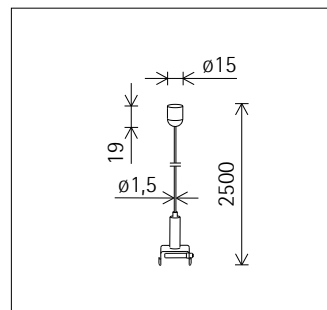
12662.000
Wire rope suspension
Wire rope: \varnothing 1.50mm, L 2,500mm.
Mounting bush: metal.
Canopy: polymer, white, \varnothing 65mm, H 63mm.
Cable entry for 3x1.5mm² polymer-coated cable or spiral cable.
Strain relief. Terminal block.
Load: 20kg.

CE
Only in conjunction with
78671.000
79551.000
79556.000
79561.000
79566.000
79571.000



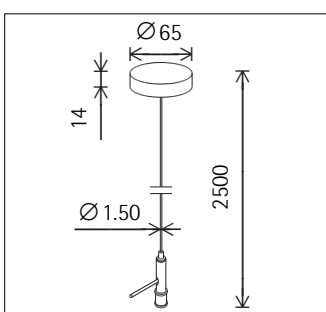
12530.000
Wire rope suspension
With rapid wire connector for height compensation.
Wire: \varnothing 1.50mm, L 2500mm.
Fastening clip for retrofitting to ERCO 220-240V track.

1-point fixing: brass, nickel-plated. \varnothing 15mm, H 21mm.
Also suitable for sloping ceilings.
Load: 20kg.
Silver



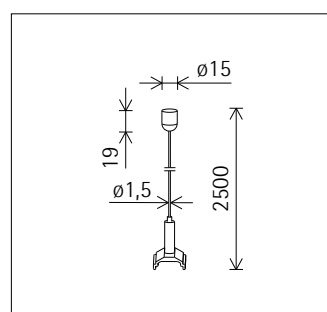
12561.000
Wire rope suspension
With rapid connector for adjustment levelling.
Wire rope: \varnothing 1.50mm, L 2,500mm.
Ceiling fixture: cast aluminium/metal, powder-coated. \varnothing 65mm, H 14mm.
Load: 20kg.

White
Only in conjunction with
78671.000
79551.000
79556.000
79561.000
79566.000
79571.000

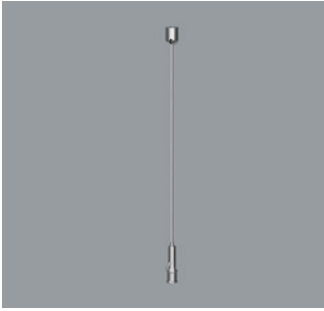


12532.000
Wire rope suspension
With rapid wire connector for height compensation.
Wire: \varnothing 1.50mm, L 2500mm.
Mounting piece for mounting on ERCO 220-240V track.

1-point fixing: brass, nickel-plated. \varnothing 15mm, H 21mm.
Also suitable for sloping ceilings.
Load: 20kg.
Silver



Accessories



12534.000

Wire rope suspension
With rapid wire connector for height
compensation.

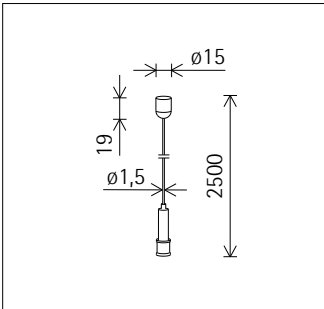
Wire: \varnothing 1.50mm, L 2500mm.

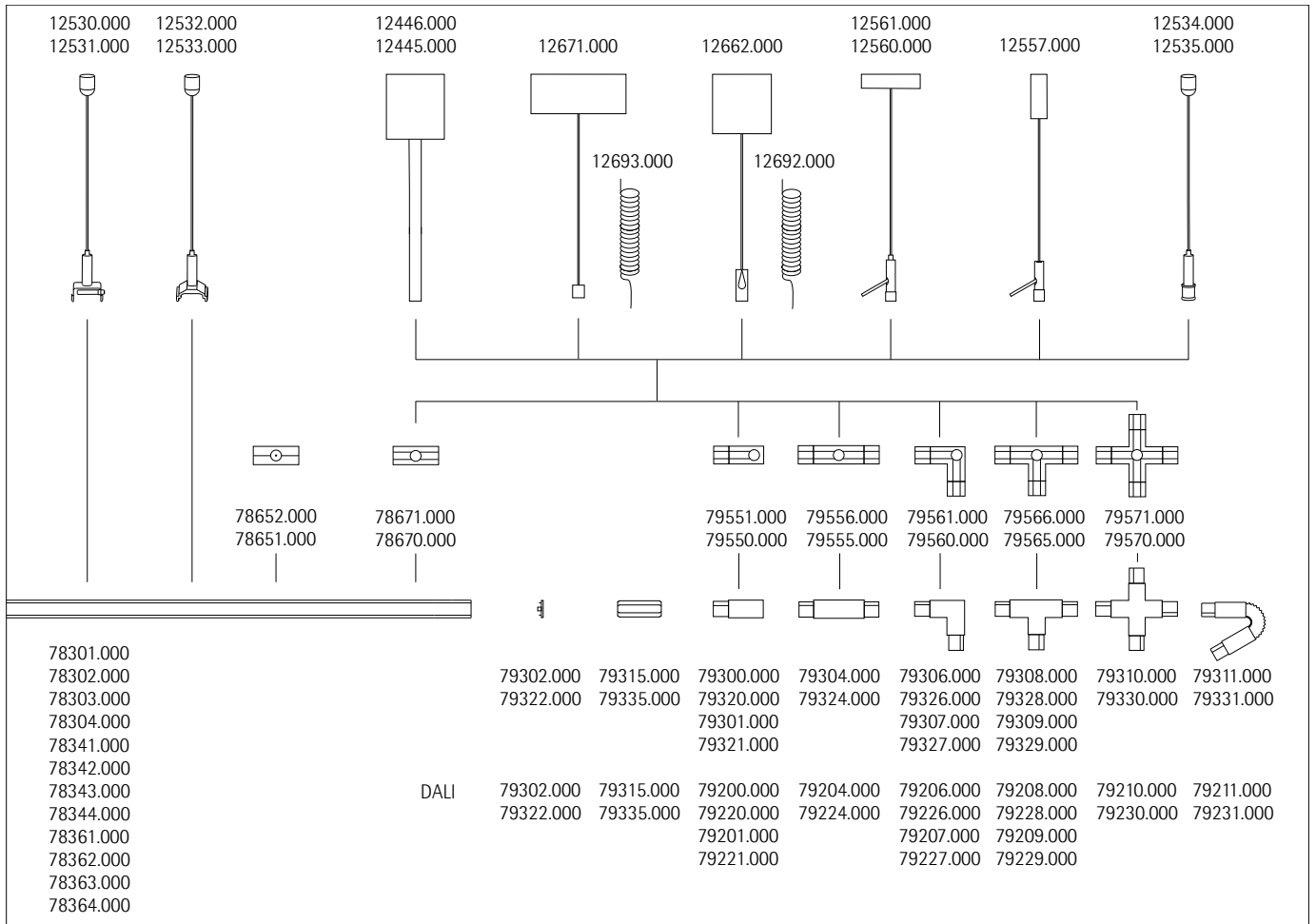
1-point fixing: brass, nickel-plated.
 \varnothing 15mm, H 21mm.

Also suitable for sloping ceilings.

Load: 20kg.

Silver

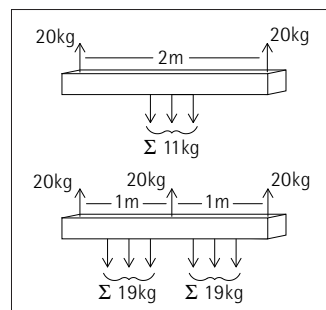
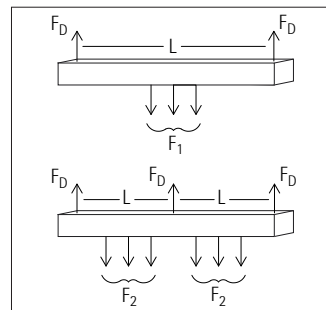


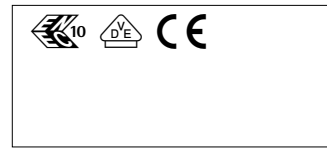
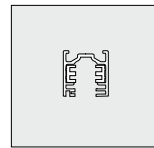
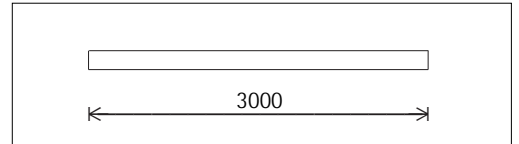
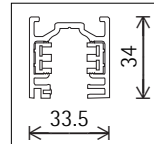
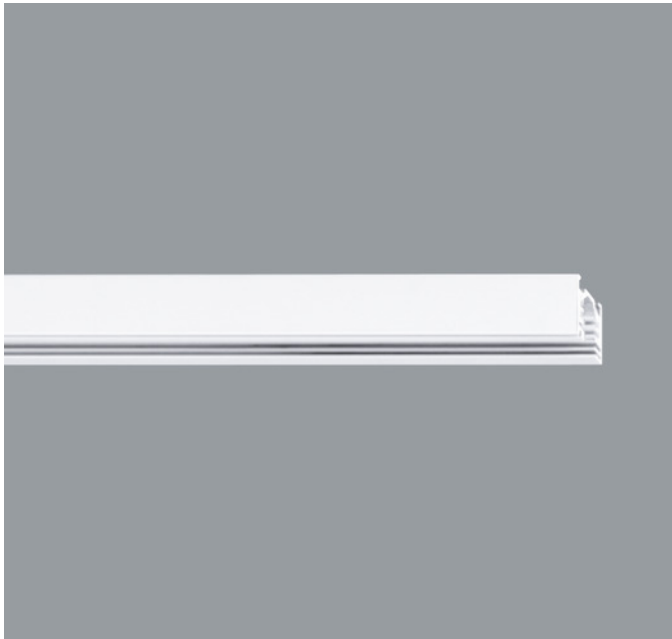


Permissible loading is calculated from the max. permissible profile deflection and the max. permissible mechanical loading of the suspension devices. Load distribution takes both the weight of the system and the equally distributed point loads into consideration.

L (mm)	1000	2000	3000	4000
F_e (kg)	1.1	2.2	3.3	4.4
f_e (mm)	0.07	1.09	5.50	17.40
$F_0 = 20\text{kg}$				
F_1 (kg)	39	11	3	-
F_2 (kg)	19	11	3	-

- L (mm) length
- f_e (mm) deflection due to weight of profile
- F_0 (kg) max. loading of suspension device
- F_e (kg) weight of the profile
- F_1 (kg) maximum permissible load for two-point suspension and permissible deflection ($L/250$) of 4mm per metre length
- F_2 (kg) maximum permissible load for series suspension and permissible deflection ($L/250$) of 4mm per metre length





78343.000 White (RAL9002)
Length 3000mm

Product description

Aluminium profile, powder-coated.
Mounting surface with easy to remove knockouts at 0.4m interval.
4 isolated copper conductors and pressed-in earth conductor.
When used as DALI track: one 16A circuit and two conductors for connecting to the DALI data line.
When used as a 3-circuit track: three separately switchable circuits 16A each.
The ERCO track system is approved according to IEC 60570 (EN 60570/ VDE 0711 Part 300).
Weight 3.30kg

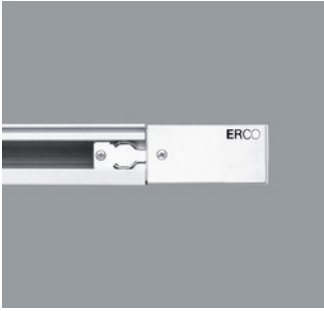
Planning data

Technical data in accordance with international norms and standards

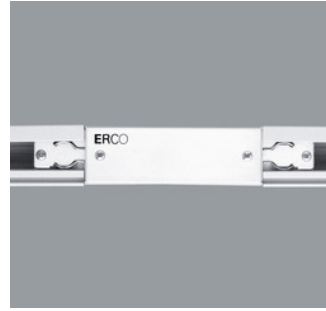
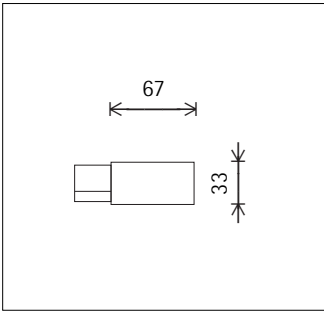
IEC 60598	Luminaires – Part 1+2: general requirements, specific requirements and tests
IEC 62031	LED modules for general lighting – safety requirements
IEC 62471	Photobiological safety of lamps and lamp systems
EN 13032-4	Light and lighting – measurement and representation of photometric data
CIE 13	Method of measuring and specifying colour rendering properties of light sources

All technical data is subject to industrially standard tolerances.
Also see www.erco.com/erco-led

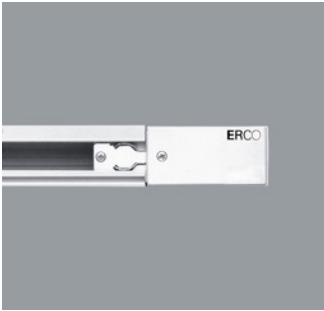
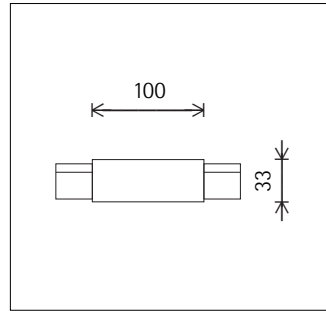
Accessories



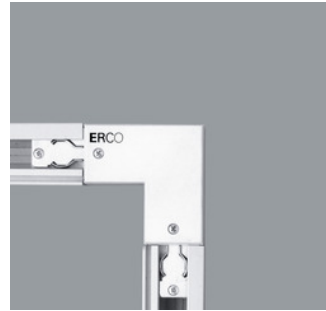
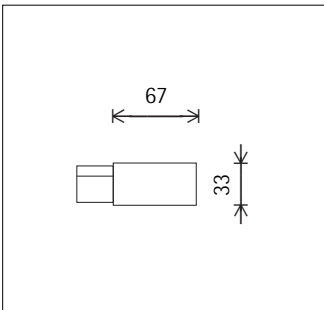
79300.000
3-circuit live end
Polymer.
Earth conductor, right.
White
🔌 ⚡ CE



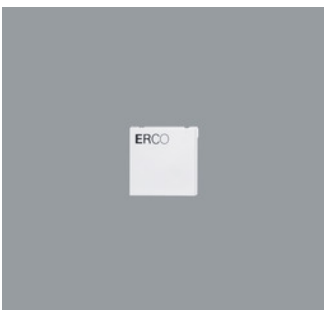
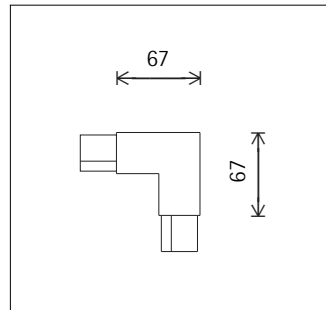
79304.000
3-circuit coupler
Polymer.
Feed-in possible. Through-wiring.
White
🔌 ⚡ CE



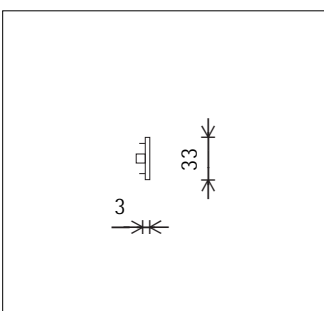
79301.000
3-circuit live end
Polymer.
Earth conductor, left.
White
🔌 ⚡ CE



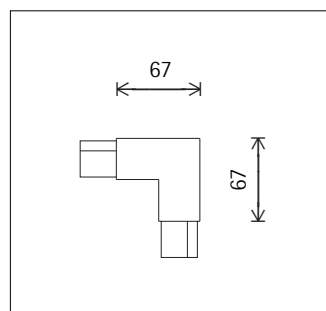
79306.000
3-circuit L-connector
Polymer.
Earth conductor inside. Feed-in possible.
Through-wiring.
White
🔌 ⚡ CE



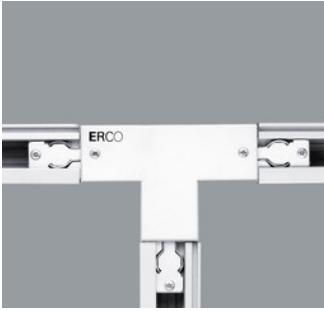
79302.000
End plate
Polymer.
White
🔌 ⚡ CE



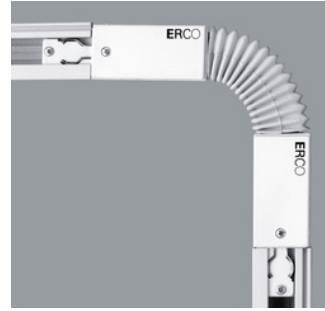
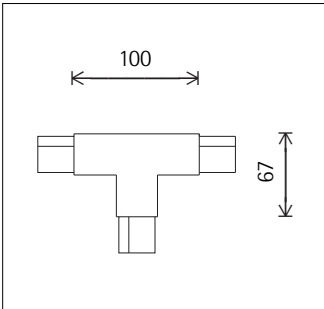
79307.000
3-circuit L-connector
Polymer.
Earth conductor outside. Feed-in possible. Through-wiring.
White
🔌 ⚡ CE



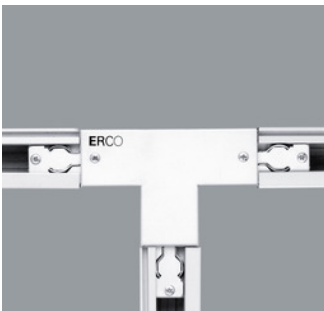
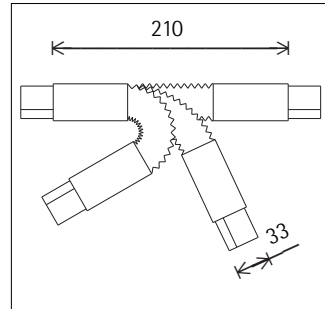
Accessories



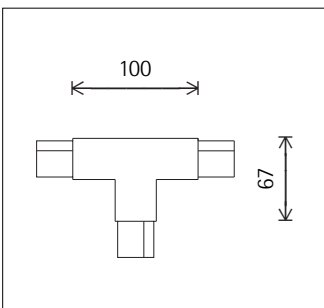
79308.000
3-circuit T-connector
Polymer.
Earth conductor, right. Feed-in possible.
Through-wiring.
White
🔌 ⚡ CE



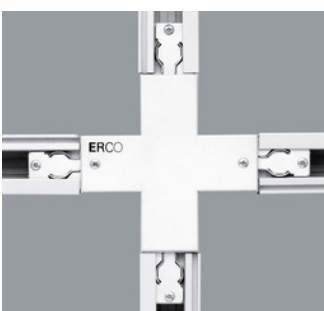
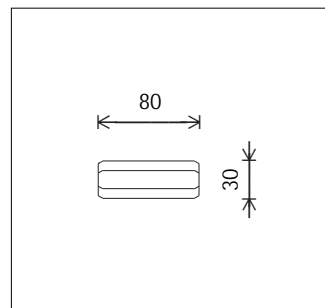
79311.000
3-circuit Multiflex coupler
Polymer.
Feed-in possible. Through-wiring.
White
🔌 ⚡ CE



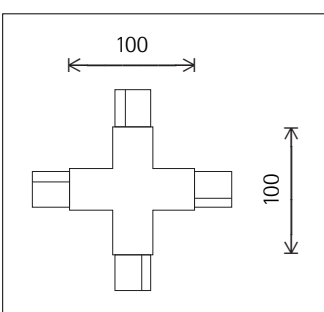
79309.000
3-circuit T-connector
Polymer.
Earth conductor, left. Feed-in possible.
Through-wiring.
White
🔌 ⚡ CE



79315.000
Coupler
for flush connection of ERCO track.
Polymer.
White
🔌 ⚡ CE



79310.000
3-circuit X-connector
Polymer.
Feed-in possible. Through-wiring.
White
🔌 ⚡ CE



79053.000
ERCO 3-circuit adapter
with earthed coupler. 250V, 6A.
Spiral cable 3x0,75mm².
L 700/1400mm.
White




79023.000
ERCO 3-circuit adapter
with earthed socket outlet. 250V, 10A.
Polymer. Cover: Polymer, black.
L 71mm, B 56mm, H 90mm.
White
CE

Accessories



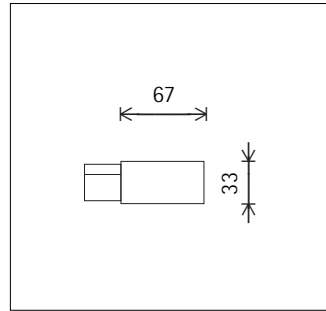
79031.000
 ERCO 3-circuit adapter
 Installation kit for 250V, 10A pendant
 luminaire, with strain relief. Polymer.
 Connection cable 3 x 0.75mm²,
 L 1500mm.
 Load: 3.30kg.
 Individual parts to be assembled on-
 site.
 White
 Weight 0.15kg



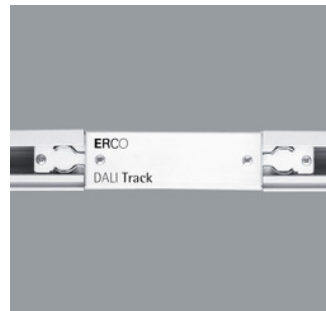
79201.000
 DALI live end
 Polymer.
 Earth conductor, left.
 White





79055.000
 ERCO 3-circuit adapter
 for pendant luminaire, 250V, 10A, with
 hook and terminal block.
 Polymer.
 Load: 10kg.
 L 71mm, B 32mm, H 33mm.
 White



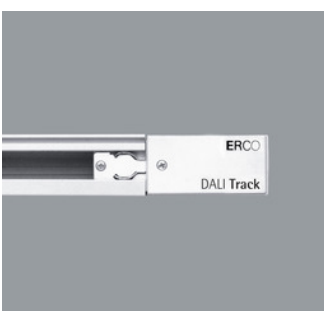
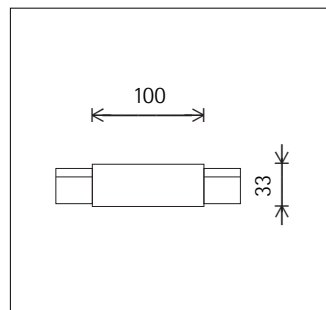
12692.000
 Spiral cable
 L 500/2,500mm.
 White 3x1.5mm²
CE




79204.000
 DALI coupler
 Polymer.
 Feed-in possible. Through-wiring.
 White





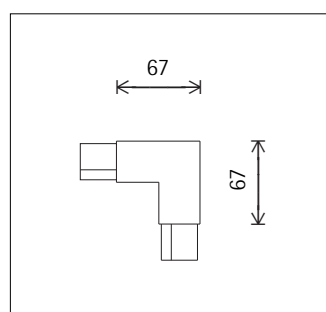
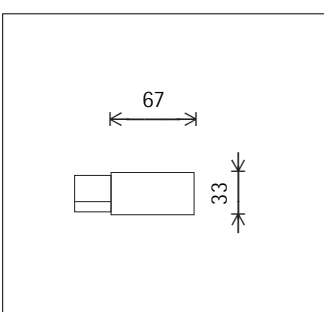
12693.000
 Spiral cable
 L 500/2,500mm.
 White 5x1.5mm²
CE



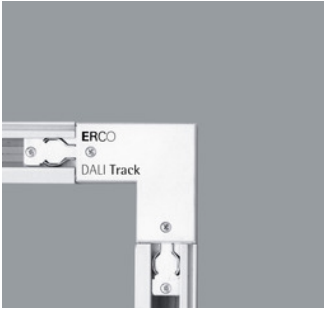
79200.000
 DALI live end
 Polymer.
 Earth conductor, right.
 White




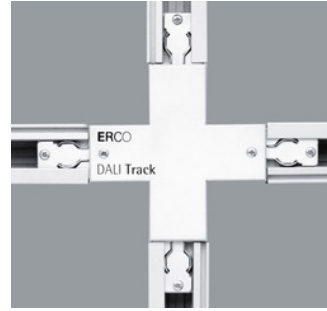
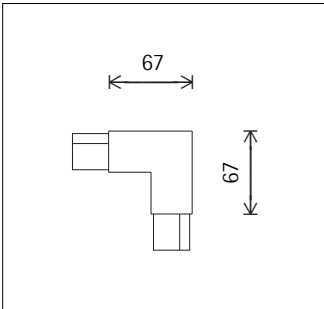
79206.000
 DALI L-connector
 Polymer.
 Earth conductor inside. Feed-in possible.
 Through-wiring.
 White




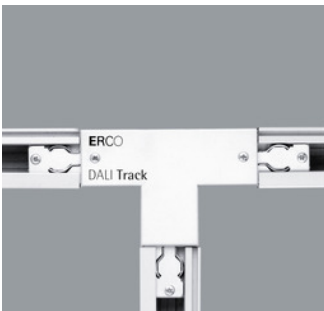
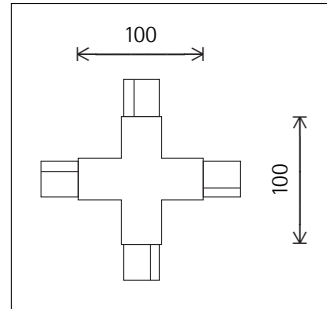
Accessories



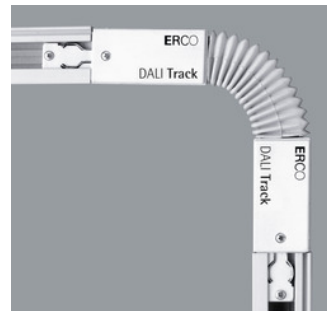
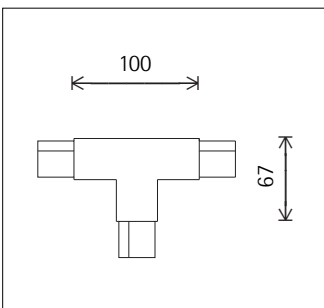
79207.000
DALI L-connector
Polymer.
Earth conductor outside. Feed-in possible. Through-wiring.
White
🌿 ⚡ CE



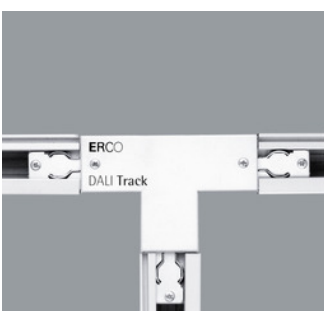
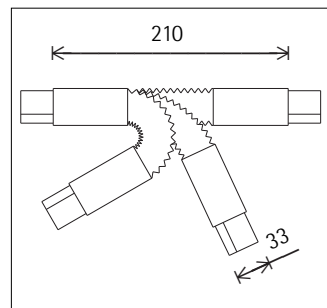
79210.000
DALI X-connector
Polymer.
Feed-in possible. Through-wiring.
White
🌿 ⚡ CE



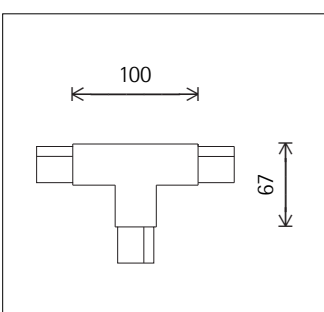
79208.000
DALI T-connector
Polymer.
Earth conductor, right. Feed-in possible. Through-wiring.
White
🌿 ⚡ CE



79211.000
DALI Multiflex coupler
Polymer.
Feed-in possible. Through-wiring.
White
🌿 ⚡ CE

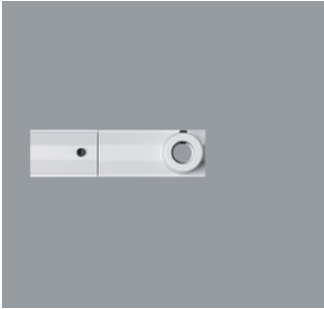


79209.000
DALI T-connector
Polymer.
Earth conductor, left. Feed-in possible. Through-wiring.
White
🌿 ⚡ CE

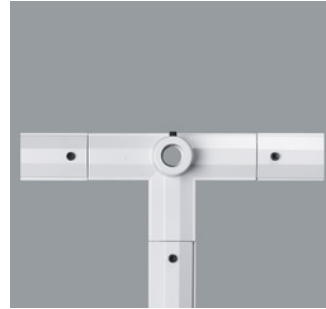
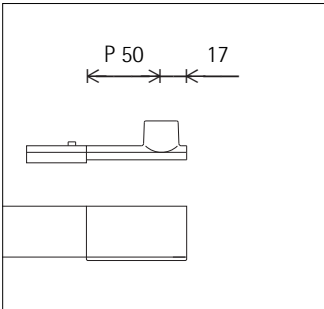


79047.000
ERCO DALI adapter
for 250V, 1A pendant luminaire, with strain relief. Polymer.
Connection cable 5x0,75mm², L 1500mm.
Requirements placed on DALI control gear: DALI input suitable for mains voltage, max. capacity 750pF.
Not suitable for DALI singlet.
White
Weight 0.39kg
CE

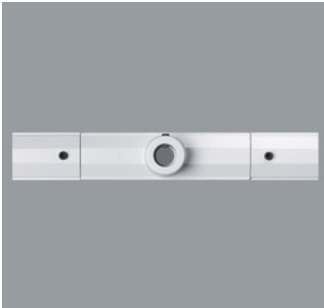
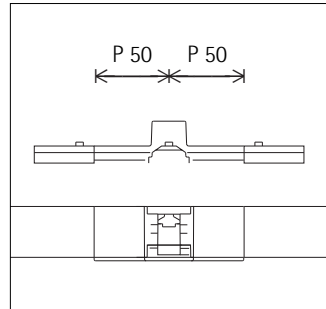
Accessories



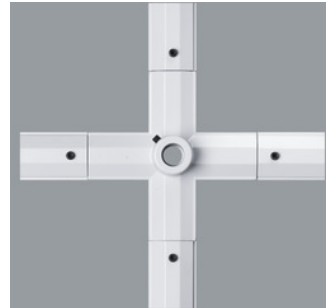
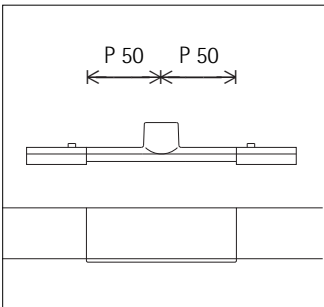
79551.000
Mounting device
for suspension on live end.
Metal.
White
Only in conjunction with
79200.000
79201.000
79300.000
79301.000



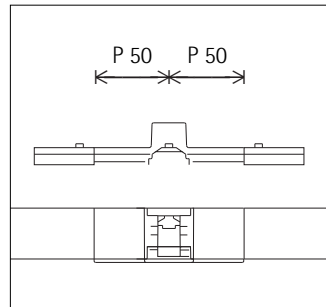
79566.000
Mounting device
for suspension on T-connector.
Metal.
White
Only in conjunction with
79208.000
79209.000
79308.000
79309.000



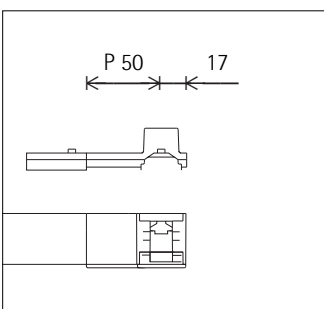
79556.000
Mounting device
for suspension on coupler with feed-
ing.
Metal.
White
Only in conjunction with
79204.000
79304.000



79571.000
Mounting device
for suspension on X-connector.
Metal.
White
Only in conjunction with
79210.000
79310.000



79561.000
Mounting device
for suspension on L-connector.
Metal.
White
Only in conjunction with
79206.000
79207.000
79306.000
79307.000



78671.000
Mounting device
for suspension on track.
Metal.
White

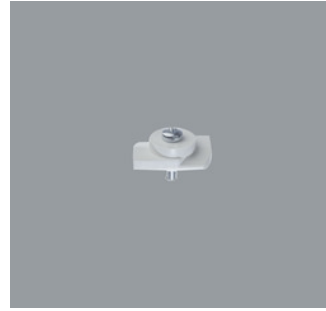


78652.000
Mounting device
for subsequent mounting on track.
White
Only in conjunction with
12440.000

Accessories



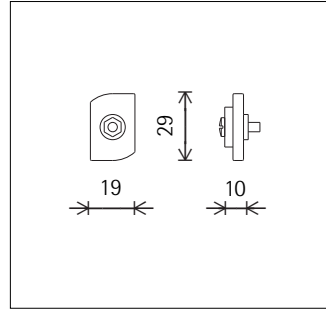
12440.000
Wire rope
Load: 20kg.
ø 1.75mm, L 10m.



78633.000
Mounting toggle
for fixing track in plaster trim profiles.
Only in conjunction with
78350.000



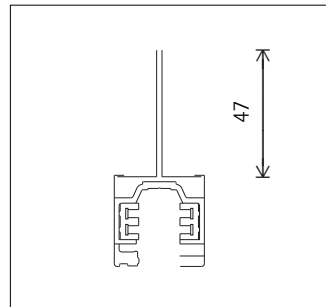
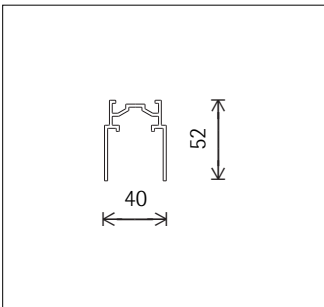
16910.000
Turnbuckle with 2 clamps
Metal, galvanised.
Load: 60kg.
Only in conjunction with
12440.000



78350.000
Plaster trim profile
Aluminium profile, silver anodised. For
flush mounting of track in plasterboard
ceilings.
B 40mm, H 52mm, L 3000mm.
Weight 3.00kg



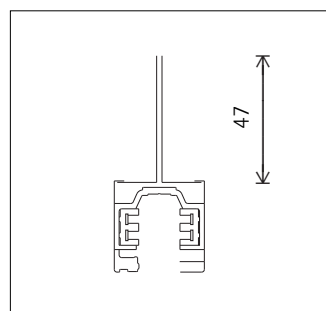
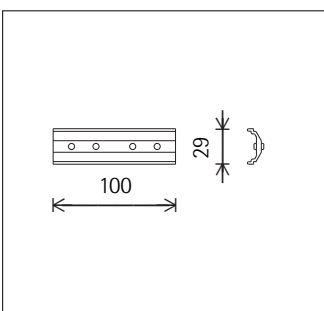
79500.000
Suspension device for track
Metal, galvanised.
Subsequent mounting of suspension
bridge in ERCO track possible.
Load: 15kg.
L 30mm, H 47mm.



79515.000
Mechanical bridge
for connection of plaster trim profiles.
Only in conjunction with
78350.000



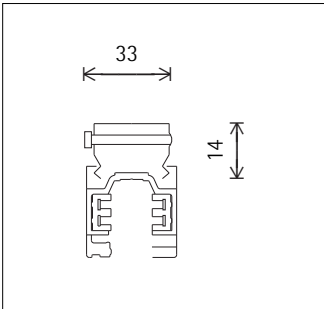
79501.000
Suspension bridge
for direct track coupler connection.
Metal, galvanised.
Subsequent mounting of suspension
bridge in ERCO track possible.
Load: 20kg.
L 180mm, H 47mm.



Accessories



79503.000
Fixing clip
Spring steel, galvanised.
Load: 20kg.
L 33mm.
14mm.



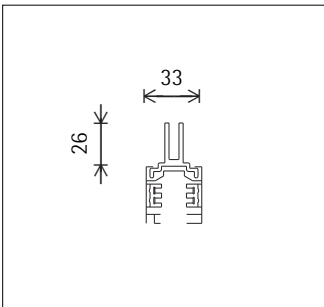
79527.000
Display hook
Polymer/steel.
Load: 10kg.
L 67mm.



79528.000
Mounting device
with M4 set screw and two nuts. Poly-
mer/steel.
Load: 10kg.
L 55mm.



79504.000
Junction
with two screws.
Aluminium, anodised.
Load 30kg.
L 50mm, H 26mm.



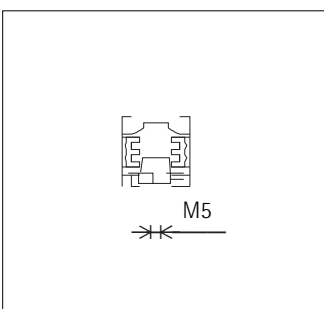
79548.000
Cover profile
Polymer.
L 10m.
White



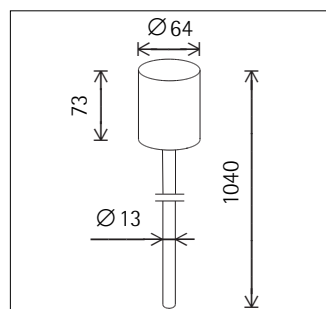
79549.000
Cable nippers
for shortening the copper conductors in
track.



79530.000
Mounting device
for M5 screws, with retaining spring.
Cast aluminium.
Load: 10kg.



12446.000
Pendant tube suspension
Pendant tube: metal, powder-coated.
ø 13mm, L 1,040mm.
Baldachin: polymer. ø 64mm, H 73mm.
Load: 20kg.
White
CE
Only in conjunction with
78671.000
79551.000
79556.000
79561.000
79566.000
79571.000

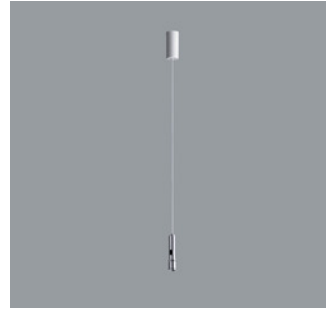
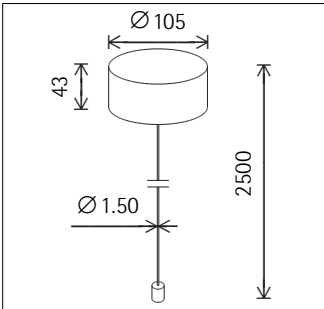


Accessories



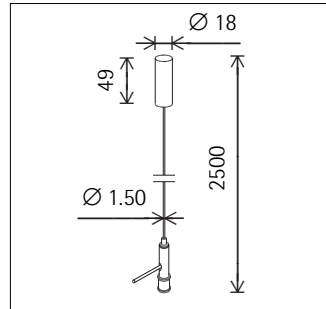
12671.000
Wire rope suspension
Wire rope: \varnothing 1.50mm, L 2,500mm.
Mounting bush: metal.
Canopy: polymer, white, \varnothing 105mm, H 43mm.
Cable entry for 5x1.5mm² polymer-coated cable or spiral cable.
Strain relief. Terminal block.
Load: 20kg.

CE
Only in conjunction with
78671.000
79551.000
79556.000
79561.000
79566.000
79571.000



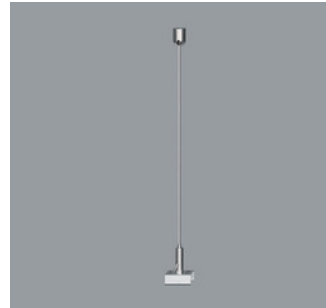
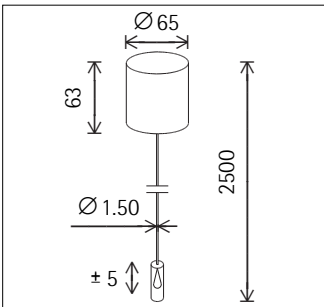
12557.000
Wire rope suspension
With single-point fixing and rapid connector for adjustment levelling.
Wire rope: \varnothing 1.50mm, L 2,500mm.
Ceiling fixture: cast aluminium/metal, white powder-coated. \varnothing 18mm, H 49mm.
Load 20kg (with heavy load dowel).
Only in conjunction with

78671.000
79551.000
79556.000
79561.000
79566.000
79571.000



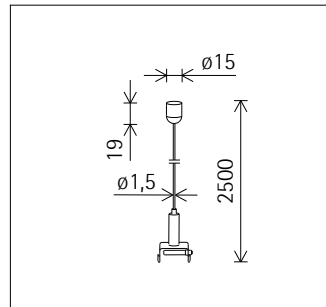
12662.000
Wire rope suspension
Wire rope: \varnothing 1.50mm, L 2,500mm.
Mounting bush: metal.
Canopy: polymer, white, \varnothing 65mm, H 63mm.
Cable entry for 3x1.5mm² polymer-coated cable or spiral cable.
Strain relief. Terminal block.
Load: 20kg.

CE
Only in conjunction with
78671.000
79551.000
79556.000
79561.000
79566.000
79571.000



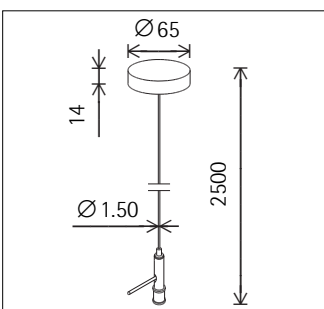
12530.000
Wire rope suspension
With rapid wire connector for height compensation.
Wire: \varnothing 1.50mm, L 2500mm.
Fastening clip for retrofitting to ERCO 220-240V track.
1-point fixing: brass, nickel-plated. \varnothing 15mm, H 21mm.
Also suitable for sloping ceilings.

Load: 20kg.
Silver



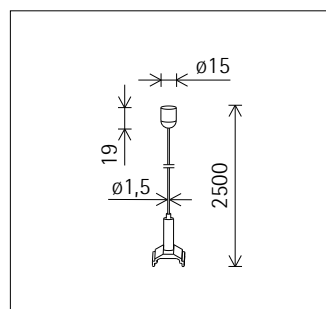
12561.000
Wire rope suspension
With rapid connector for adjustment levelling.
Wire rope: \varnothing 1.50mm, L 2,500mm.
Ceiling fixture: cast aluminium/metal, powder-coated. \varnothing 65mm, H 14mm.
Load: 20kg.
White

Only in conjunction with
78671.000
79551.000
79556.000
79561.000
79566.000
79571.000

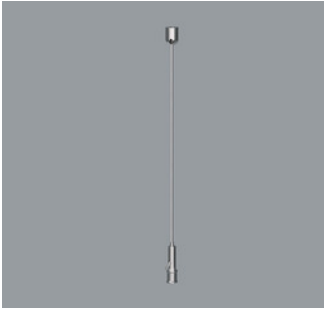


12532.000
Wire rope suspension
With rapid wire connector for height compensation.
Wire: \varnothing 1.50mm, L 2500mm.
Mounting piece for mounting on ERCO 220-240V track.
1-point fixing: brass, nickel-plated. \varnothing 15mm, H 21mm.
Also suitable for sloping ceilings.

Load: 20kg.
Silver



Accessories



12534.000

Wire rope suspension
With rapid wire connector for height compensation.

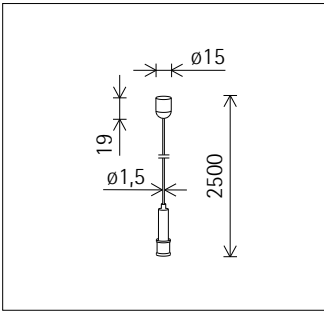
Wire: \varnothing 1.50mm, L 2500mm.

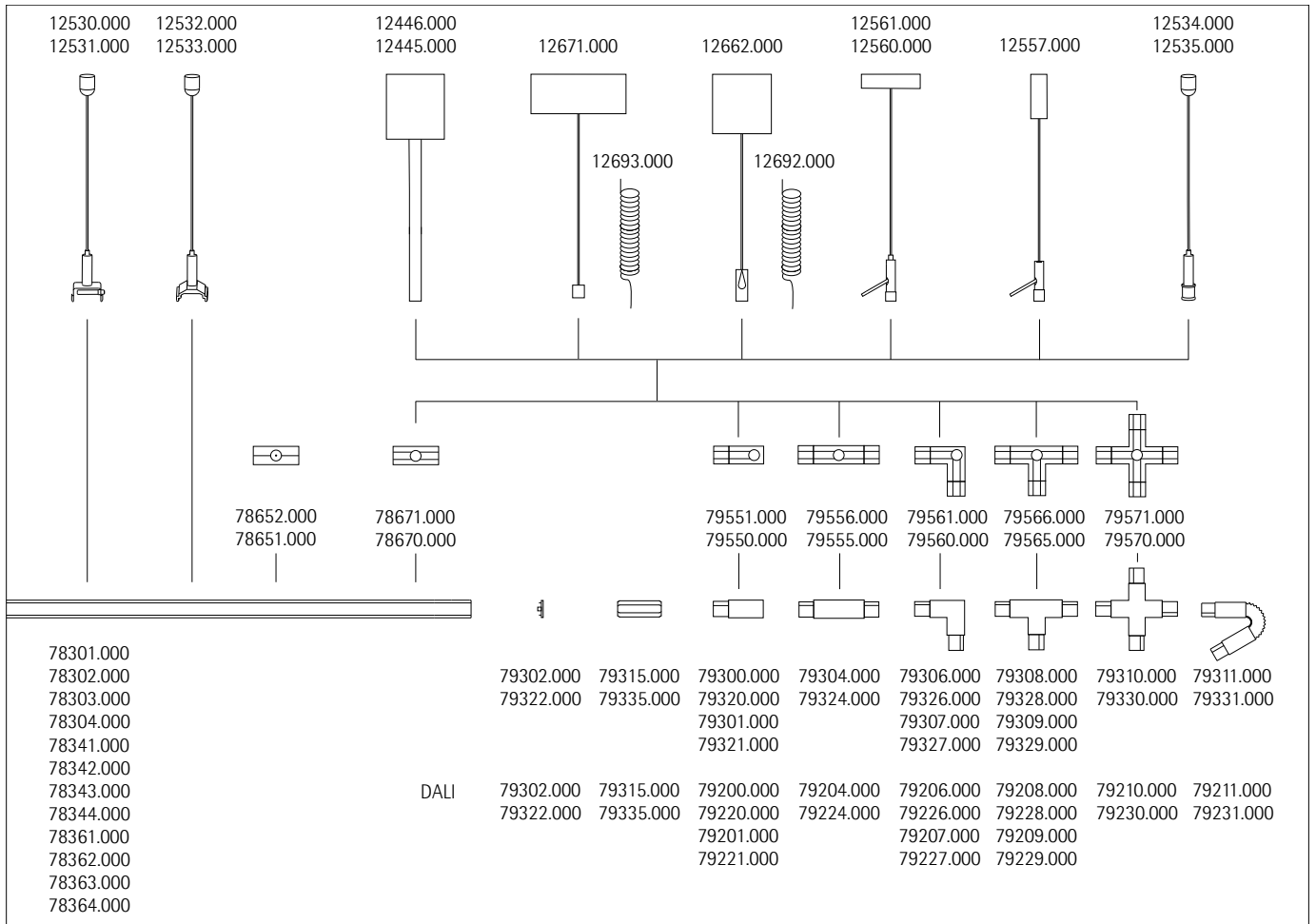
1-point fixing: brass, nickel-plated.
 \varnothing 15mm, H 21mm.

Also suitable for sloping ceilings.

Load: 20kg.

Silver





Permissible loading is calculated from the max. permissible profile deflection and the max. permissible mechanical loading of the suspension devices. Load distribution takes both the weight of the system and the equally distributed point loads into consideration.

L (mm)	1000	2000	3000	4000
F_e (kg)	1.1	2.2	3.3	4.4
f_e (mm)	0.07	1.09	5.50	17.40
$F_0 = 20\text{kg}$				
F_1 (kg)	39	11	3	-
F_2 (kg)	19	11	3	-

- L (mm) length
- f_e (mm) deflection due to weight of profile
- F_0 (kg) max. loading of suspension device
- F_e (kg) weight of the profile
- F_1 (kg) maximum permissible load for two-point suspension and permissible deflection ($L/250$) of 4mm per metre length
- F_2 (kg) maximum permissible load for series suspension and permissible deflection ($L/250$) of 4mm per metre length

